

244

SERVICE MANUAL



marantz

model 2226 B

Stereophonic Receiver

TABLE OF CONTENTS

| SECTION | PAGE |
|---|------|
| 1. INTRODUCTION | 1 |
| 2. SERVICE NOTES | 1 |
| 3. TEST EQUIPMENT REQUIRED FOR SERVICING | 2 |
| 4. AM ALIGNMENT PROCEDURE | 2 |
| 5. FM ALIGNMENT PROCEDURE | 3 |
| 6. POWER AMPLIFIER ADJUSTMENT | 3 |
| 7. POWER SUPPLY ADJUSTMENT | 3 |
| 8. VOLTAGE CONVERSION FOR EUROPEAN MODEL | 4 |
| 9. FTZ REGULATION FOR EUROPE | 4 |
| 10. MAJOR COMPONENT LOCATIONS | 5 |
| 10.1 Front Panel Adjustment and Component Locations | 5 |
| 10.2 Main Chassis Component Locations (Top View) | 5 |
| 10.3 Rear Panel Adjustment and Component Locations | 6 |
| 10.4 Main Chassis Component Locations (Bottom View) | 6 |
| 11. DIAGRAM AND COMPONENT LOCATIONS | 7 |
| 11.1 FM Front End Assembly (P100) Schematic Diagram and Component Locations | 7 |
| 11.2 Dial Lamp Assembly (PZ01) Schematic Diagram and Component Locations | 7 |
| 11.3 Phono Amp. Assembly (P400) Schematic Diagram and Component Locations | 8 |
| 11.4 Tuner Assembly (P200) Schematic Diagram and Component Locations | 9 |
| 11.5 Tone Switch Assembly (PE01) Schematic Diagram and Component Locations | 11 |
| 11.6 Main Amp. & Power Supply Assembly (P700) Schematic Diagram and Component Locations | 13 |
| 12. BLOCK DIAGRAM | 15 |
| 13. CONNECTION DIAGRAMS | 17 |
| 13.1 For U.S.A. & Canadian Models | 17 |
| 13.2 For European Model | 19 |
| 14. SCHEMATIC DIAGRAMS | 21 |
| 14.1 For U.S.A. & Canadian Models | 21 |
| 14.2 For European Model | 23 |
| 15. EXPLODED MECHANICAL DIAGRAMS | 25 |
| 15.1 Cabinet | 25 |
| 15.2 Chassis | 27 |
| 15.3 Rear Panel for U.S.A. & Canadian Models | 29 |
| 15.4 Rear Panel for European Model | 29 |
| 16. PACKING MATERIAL EXPLODED VIEW | 30 |
| 17. PARTS LIST | 31 |
| 18. TECHNICAL SPECIFICATIONS | 39 |

1. INTRODUCTION

This service manual was prepared for use by Authorized Warranty Stations and contains service information for Marantz Model 2226B Stereophonic Receiver.

Servicing information and voltage data included in this manual are intended for use by the knowledgeable and experienced technician only. All instructions should be read carefully. No attempt should be made to proceed without a good understanding of the operations in the receiver.

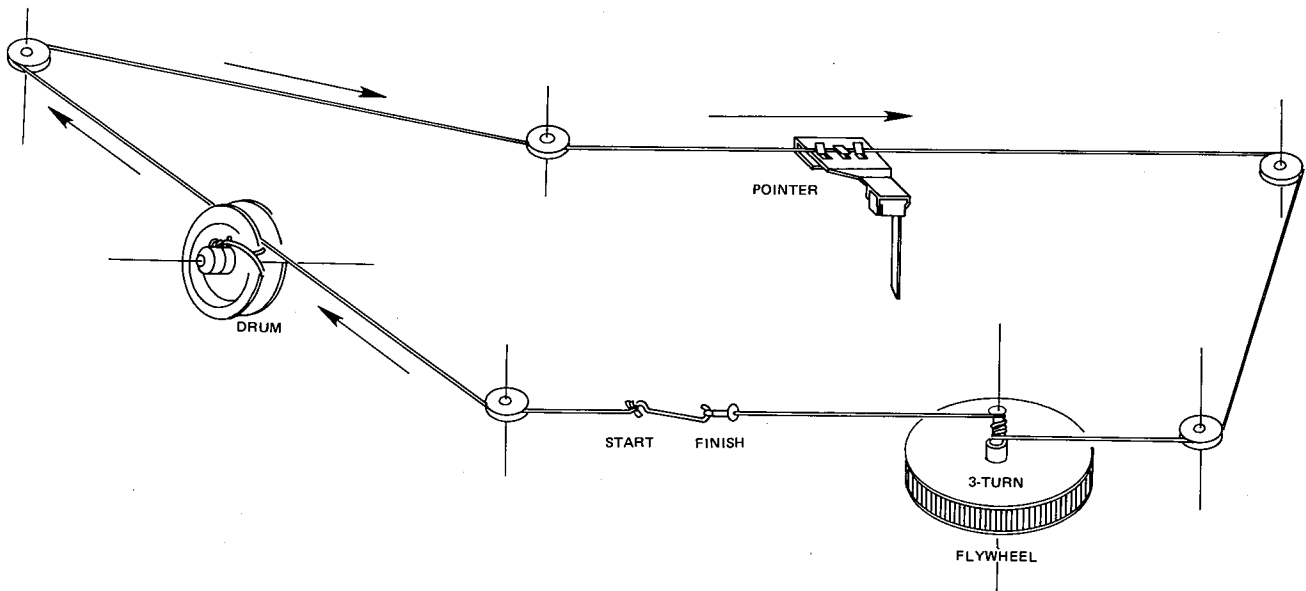
The parts list furnishes information by which replacement parts may be ordered from the Marantz Company. A simple description is included for parts which can usually be obtained through local suppliers.

2. SERVICE NOTES

As can be seen from the circuit diagram, the chassis of Model 2226B consists of the following units. Each unit mounted on a printed circuit board is described within the square enclosed by a bold dotted line on the circuit diagram.

1. FM Front End mounted on P.W.B. P 100
2. Tuner mounted on P.W.B. P200
3. Phono Equalizer Amp & Selector ... mounted on P.W.B. P400
4. Main Amp. & Power Supply mounted on P.W.B. P700
5. Pre, Tone Amp. & Switch Ass'y mounted on P.W.B. PE01
6. Dial Lamp mounted on P.W.B. PZ01

Figure 1. Dial Stringing



3. TEST EQUIPMENT REQUIRED FOR SERVICING

This table lists the test equipment required for servicing the Model 2226B Receiver.

| Item | Manufacturer and Model No. | Use |
|--|---|---|
| AM Signal Generator | | Signal source for AM alignment |
| Test Loop | | Use with AM Signal Generator |
| FM Signal Generator MPX Signal Generator | Sound Technology Model 1000A | Signal source for FM alignment Stereo separation alignment and trouble shooting |
| Distortion Analyzer Audio Oscillator AC VTVM | Sound Technology Model 1700A | Distortion measurements Sinewave and squarewave signal source Voltage measurements (AC) |
| Oscilloscope | Tektronix Model T932 Philips Model 3232 | Waveform analysis and trouble shooting and ASO alignment |
| Frequency Counter | Fluke Model 1900A | MPX Oscillator adjustment (VCO) |
| Circuit Tester | | Trouble shooting |
| DC VTVM | Fluke Model 8000 "Digital" Simpson Model 313, Triplet Model 801 | Voltage measurements (DC) |
| AC Wattmeter | Simpson Model 1379 | Monitors primary power to amplifier |
| AC Ammeter | Commercial Grade (1~10A) | Monitors amplifier output under short circuit condition |
| Line Voltmeter | Simpson Model 1359 | Monitors potential of primary power to amplifier |
| Variable Autotransformer | Superior Electronic Co., Powerstat Model 116B-10A | Adjusts level of primary power to amplifier |
| Shorting Plug | Use phono plug with 600-ohm across center pin and shell | Shorts amplifier input to eliminate noise pickup |
| Output Load (8 ohms, $\pm 0.5\%$, 100W) | Commercial Grade | Provides 8-ohm load for amplifier output termination |
| Output Load (4 ohms, $\pm 0.5\%$, 100W) | Commercial Grade | Provides 4-ohm load for amplifier output termination |

4. AM ALIGNMENT PROCEDURE

4.1 AM IF ALIGNMENT

1. Connect a sweep generator to the L153 and an alignment scope to the J233.
2. Rotate each core of IF transformers L155 and L156 for the maximum height and flat top symmetrical response.

4.2 AM FREQUENCY RANGE AND TRACKING ALIGNMENT

1. Set AM signal generator to 515 kHz. Turn the tuning capacitor fully closed (place the tuning pointer at the low end) and adjust the oscillator coil L154 for maximum audio output.

2. Set the signal generator to 1650 kHz. Place the tuning pointer in the high frequency end and adjust the oscillator trimmer on the oscillator tuning capacitor for maximum audio output.
3. Repeat steps 1 and 2 until no further adjustment is necessary.
4. Set the generator to 600 kHz, tune the receiver to the same frequency and adjust a slug core of AM ferrite-rod antenna L001 for maximum output.
5. Set the generator to 1400 kHz and tune the receiver to the same frequency and adjust the trimming capacitor on the antenna tuning capacitor for maximum output.

6. Repeat procedures 4 and 5 until no further adjustment is necessary.

NOTE

During tracking alignment reduce the signal generator output as necessary to avoid AGC action.

5. FM ALIGNMENT PROCEDURE

5.1 FM FREQUENCY RANGE AND TRACKING ALIGNMENT

1. Connect an FM signal generator to the FM antenna terminals and an oscilloscope and an audio distortion analyzer to the TAPE OUT jacks on the rear panel.
2. Set the generator to 87.4 MHz and provide about 3 to 5 μV . Place the tuning pointer at the low frequency end by rotating the tuning knob and adjust the pitch of oscillator coil L107 to obtain maximum audio output.
3. Set the generator to 109 MHz and provide about 3 to 5 μV . Rotate the tuning knob and place the tuning pointer at the high frequency end and adjust the trimming capacitor C121 for maximum output.
4. Repeat steps 2 and 3 until no further adjustment is necessary.
5. Set the generator to 90 MHz and tune the receiver to the same frequency. Decrease signal generator output until the audio output level decreases with the decreasing generator output. Adjust the pitch of antenna coil L102 and RF coil L104 for maximum output.
6. Set the generator to 106 MHz and tune the receiver to the same frequency. Decrease the signal generator output until the audio output level decreases with the decreasing generator output. Adjust the trimming capacitors of antenna and RF tuning circuits for maximum output.
7. Repeat steps 5 and 6 until no further adjustment is necessary.
8. Adjust the primary core (low core) of discriminator transformer L202 so that the center tuning meter pointer indicates its center at no signal applied. Set the FM signal generator to 98 MHz and increase its output level 1 μV and tune the receiver to the same frequency so that the center tuning meter pointer indicates its center. Adjust the secondary core (upper core) of L202 for minimum distortion.

5.2 STEREO SEPARATION ALIGNMENT

1. Set the FM signal generator to provide 1 μV at 98 MHz. Tune the receiver to the same frequency so that the center tuning meter pointer indicates its center. Then turn off the modulation of the generator, connect a frequency counter to test point J229 and adjust R301 so that the frequency counter may precisely read 76 kHz.
2. Modulate the generator with stereo composite signal consisting of only L or R channel (of course a pilot signal must be included).
3. Adjust the trimming resistor R317 for maximum and same separation in both channels.

5.3 MUTING THRESHOLD ADJUSTMENT

1. Set the FM signal generator output to provide 12.5 μV (IHF) at 98 MHz and tune receiver to the same frequency. Adjust the trimming resistor R212 for the threshold level of 12.5 μV . (During this adjustment turn the FM MUTING pushswitch "on".)

5.4 FM DOLBY LEVEL ADJUSTMENT

1. Set the FM signal generator to provide a 400 Hz, 50% modulated 98 MHz mono signal, at 1 μV output. Precisely tune the receiver to 98 MHz.
2. Depress the FM 25 μS pushswitch, and adjust R215 until the outputs of both channels are 580 mV.

6. POWER AMPLIFIER ADJUSTMENT

Connect a VTVM between R757(+) and R759(-) and adjust the trimming resistor R739 until the VTVM reads 18.8 mV DC. And next, connect a VTVM between J735 and J732 (GROUND) and adjust the trimming resistor R737 until the VTVM reads 0 mV DC. Do over again. For the other channel, connect the VTVM between R758(+) and R760(-) and adjust the R740 for the same reading, and connect the VTVM between J736 and J732 and adjust the R738 for the same reading. Do over again. When adjusting a DC offset voltage, the switch of the SPEAKER SYSTEM 1 must be turned on.

7. POWER SUPPLY ADJUSTMENT

Connect a VTVM between J708(+) and J715(-) and adjust R783 until the VTVM reads 35.0 V under no signal condition.

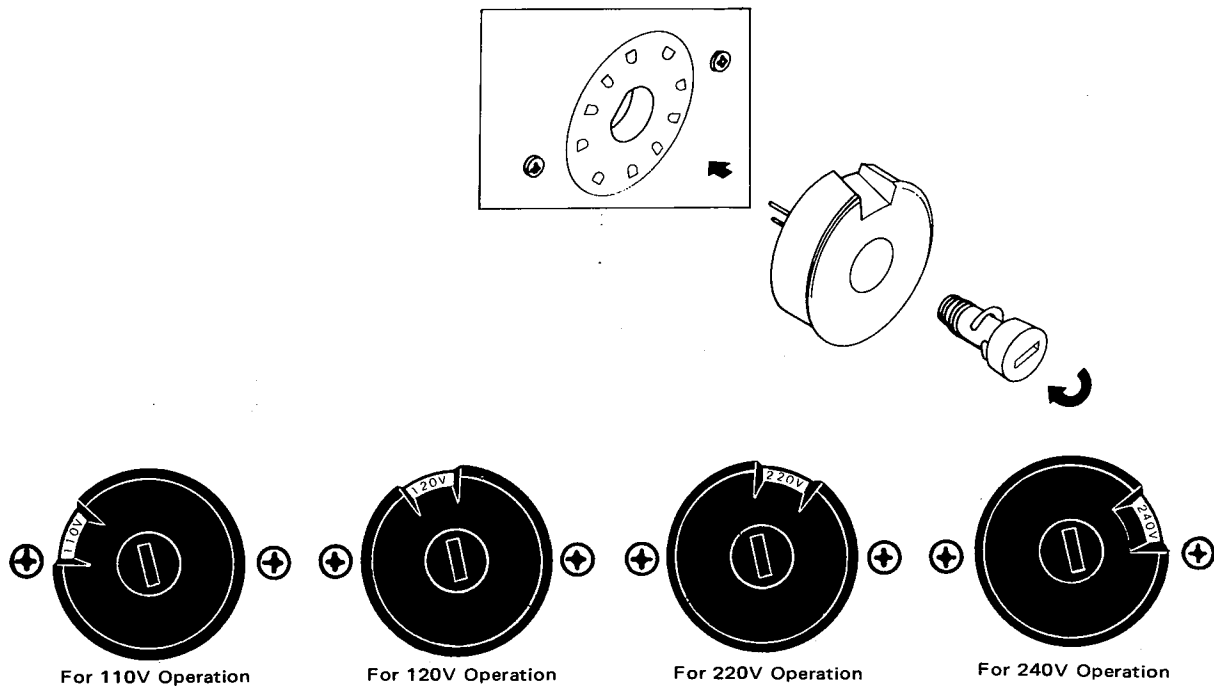
● **EUROPEAN MODEL ONLY**

8. VOLTAGE CONVERSION

The European version of the Model 2226B is equipped with a universal power transformer that may be adjusted to operate at 110V, 120V, 220V, or 240V AC at 50 to 60 Hz. To convert the unit to a different power source voltage, reposition conversion plug as shown in Figure 2.

CAUTION
DISCONNECT POWER SUPPLY CORD FROM AC
OUTLET BEFORE CONVERTING VOLTAGE.

Figure 2. Voltage Conversion Chart



9. FTZ REGULATION

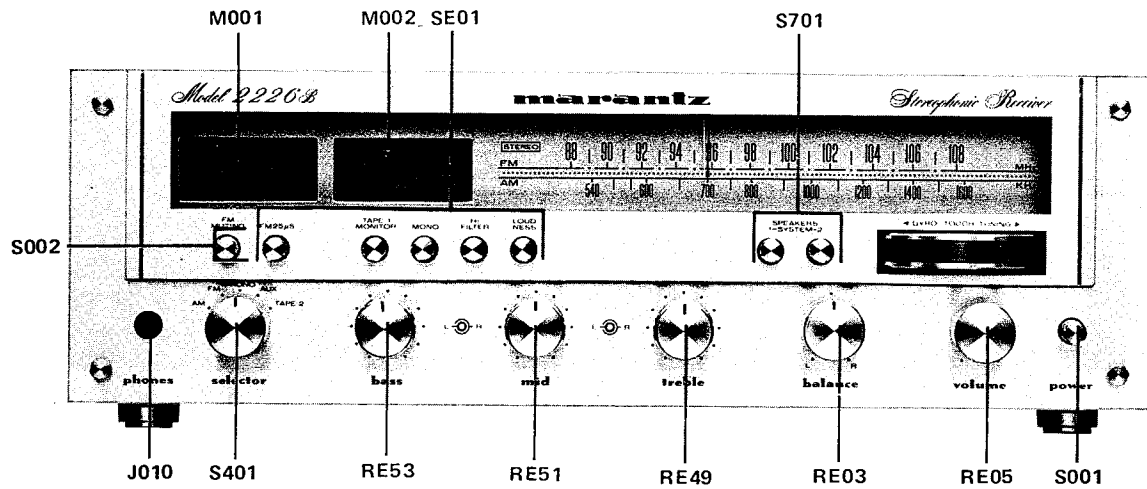
Instruction for the use
in the range other than specified in FTZ codes

Achtung für die Leute, die in dem Gebiet wohnen,
wo die FTZ-Bestimmungen vorherrschend sind.

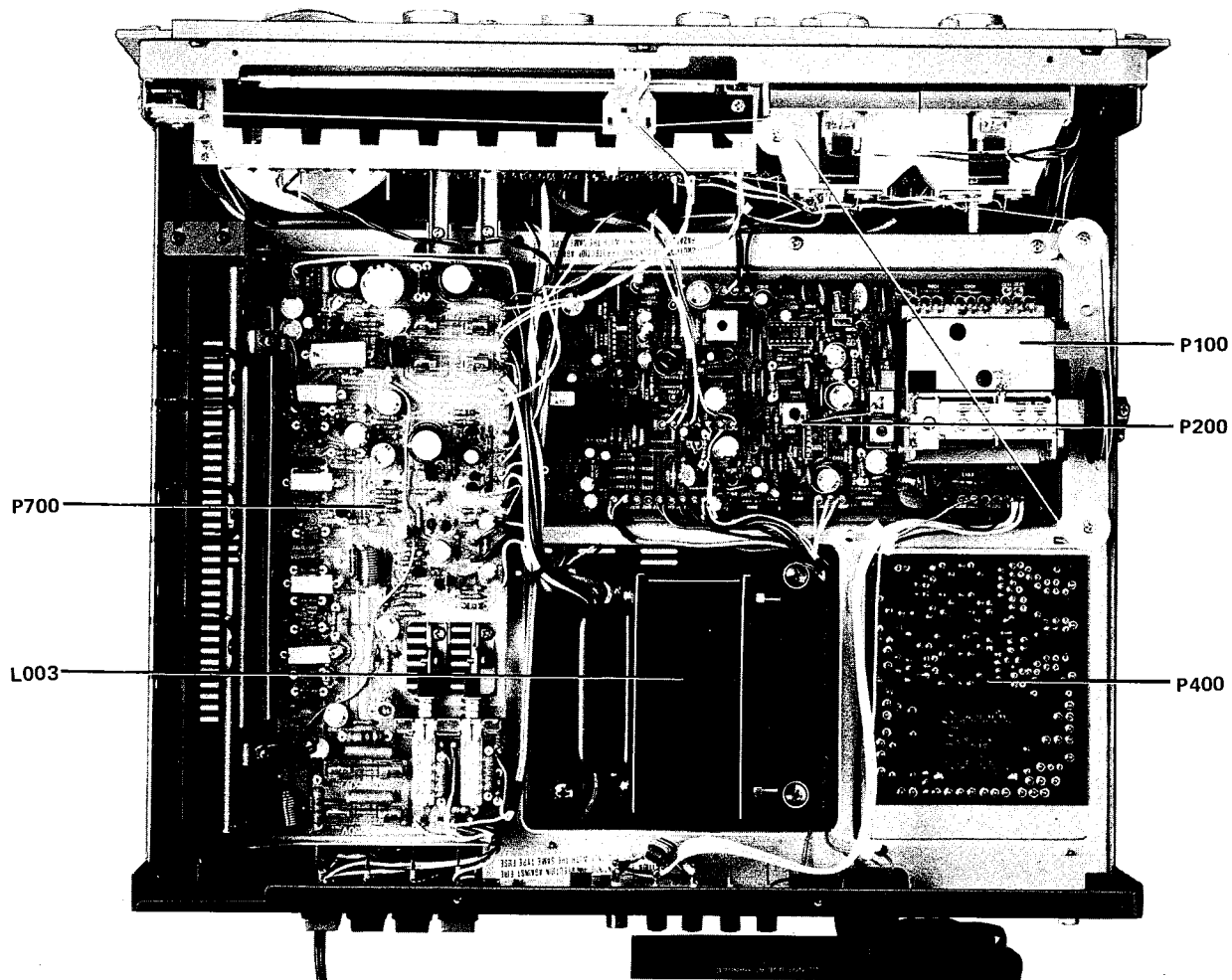
Sollte das Gerät auch für Frequenzen ausserhalb des in den FTZ-Bestimmungen angegebenen Bereiches empfangebereit sein, bitten wir, den Bereich durch Nachstellen des Kernes in der Oszillatorschule (in der Abbildung mit „FTZ“ gekennzeichnet) so zu korrigieren, dass er den Bestimmungen entspricht.

10. MAJOR COMPONENT LOCATIONS

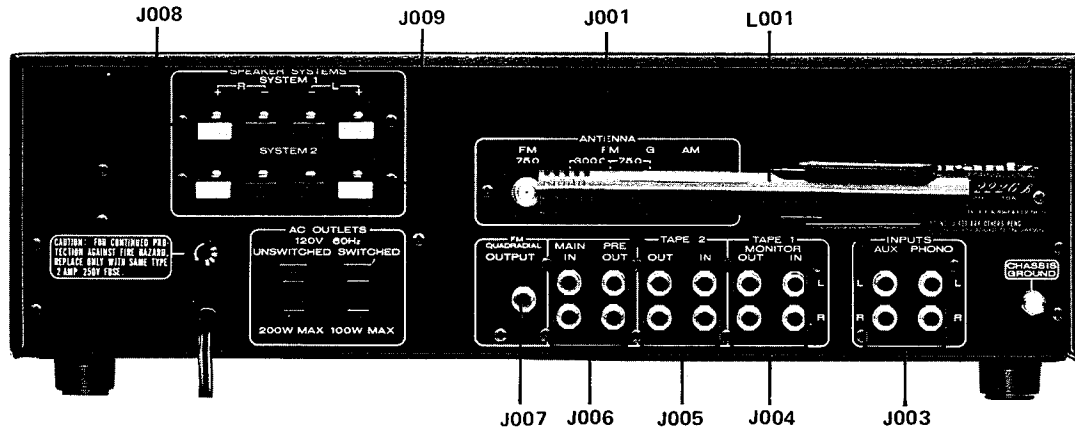
10.1 Front Panel Adjustment and Component Locations



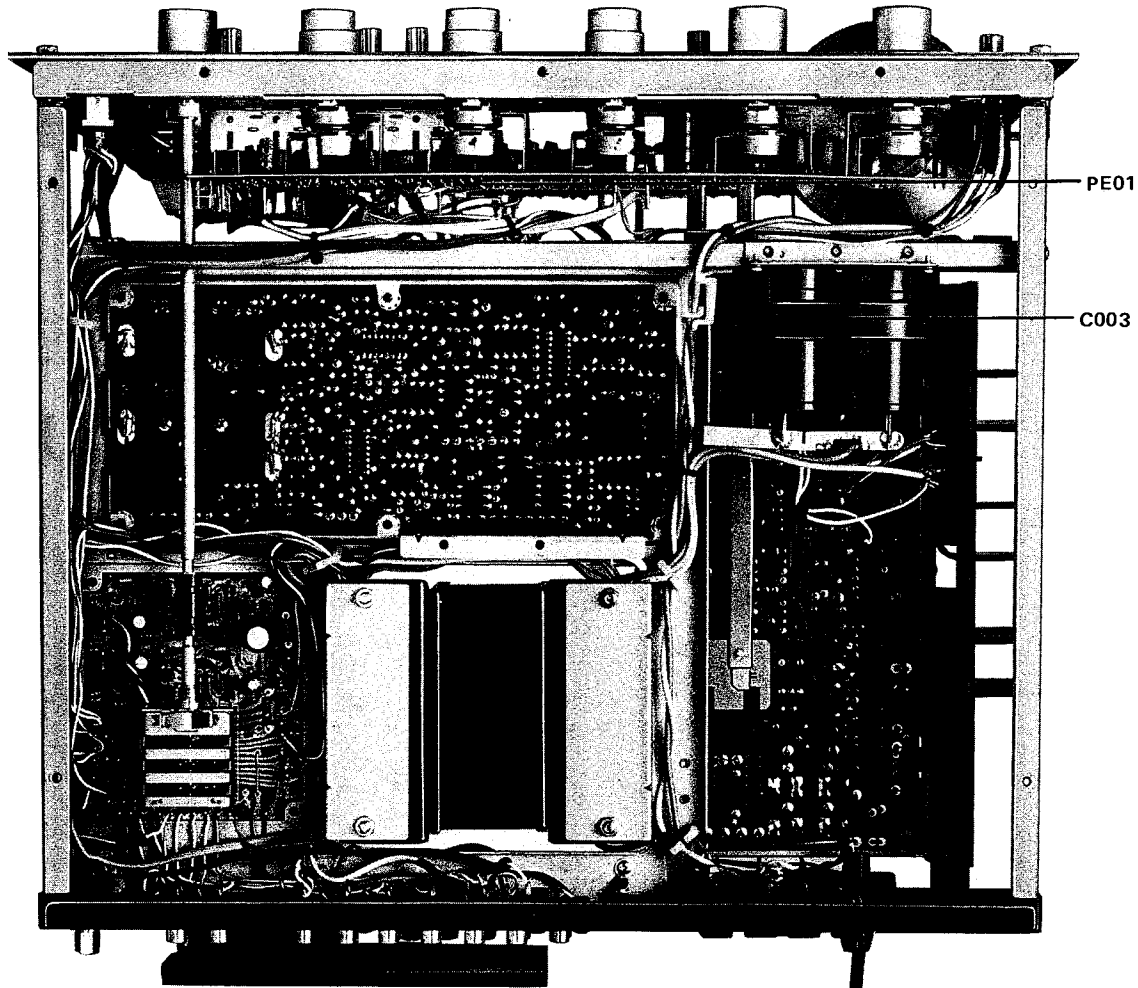
10.2 Main Chassis Component Locations (Top View)



10.3 Rear Panel Adjustment and Component Locations

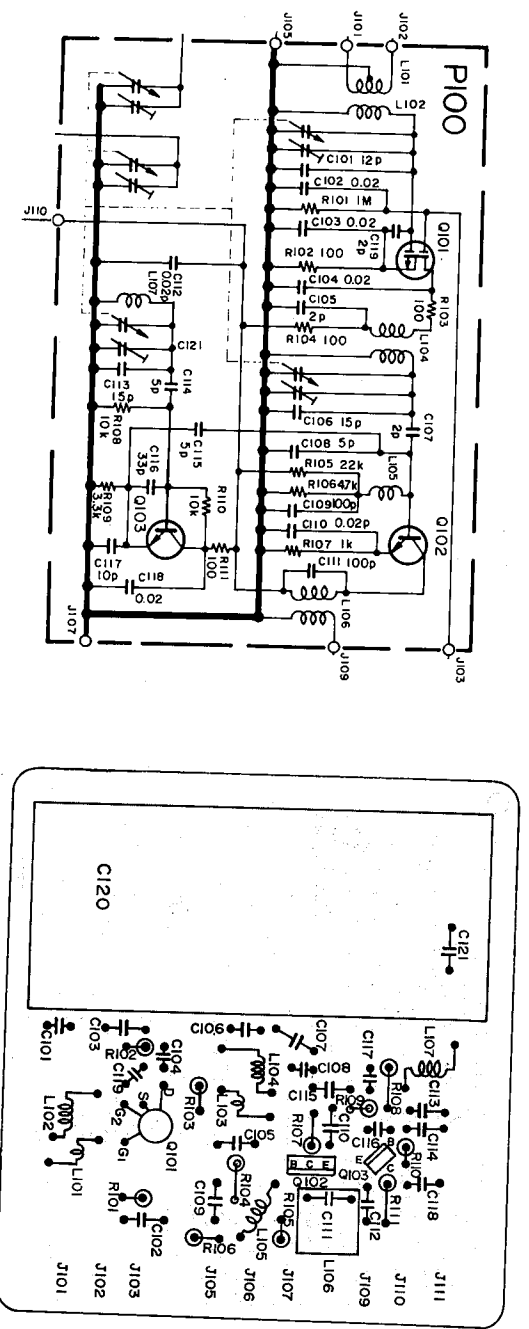


10.4 Main Chassis Component Locations (Bottom View)

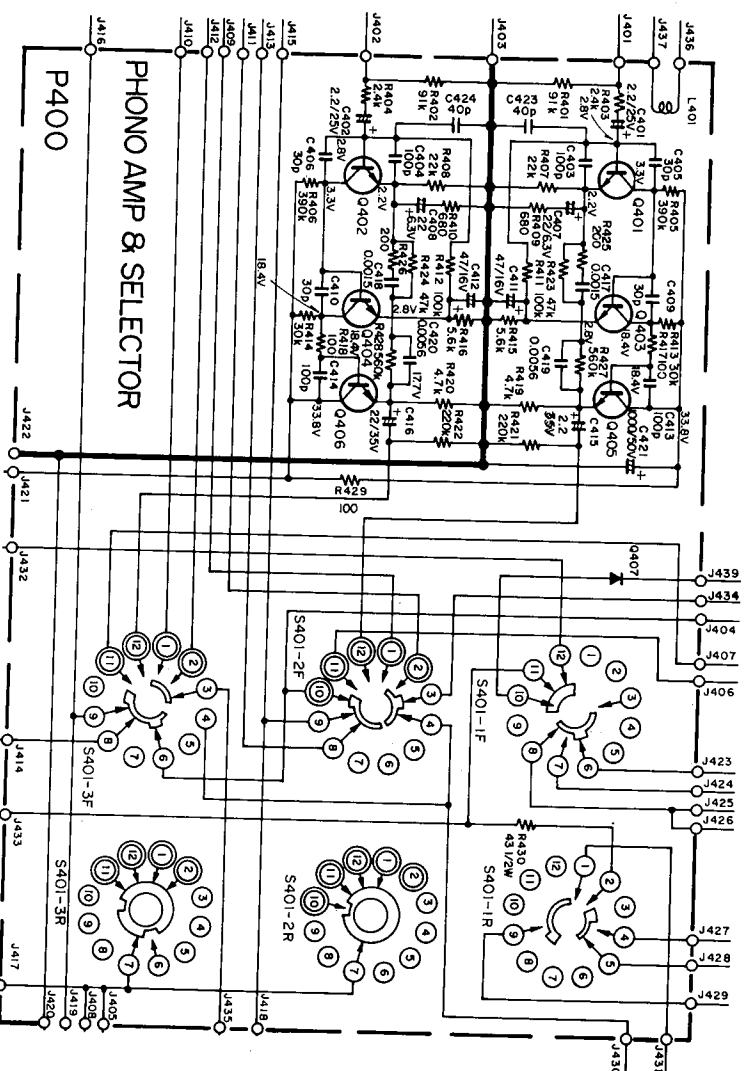


11. DIAGRAM AND COMPONENT LOCATIONS

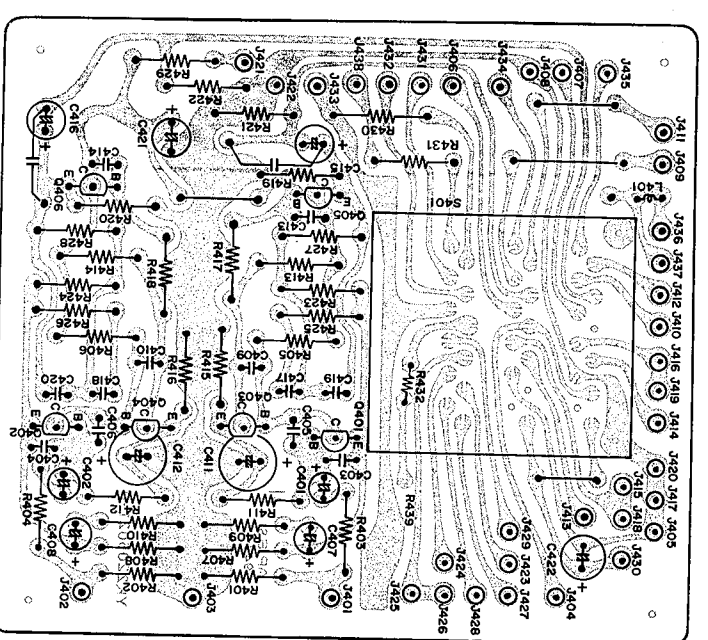
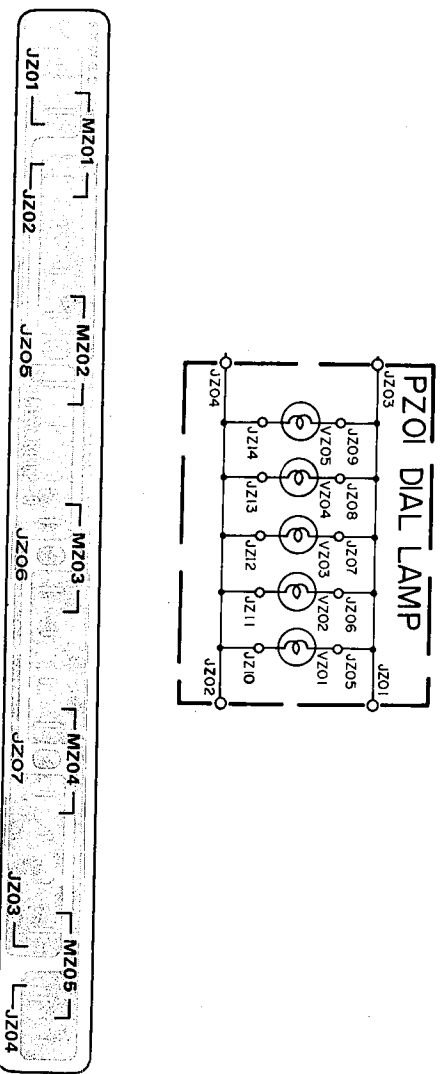
11.1 FM Front End Assembly (P100) Schematic Diagram and Component Locations



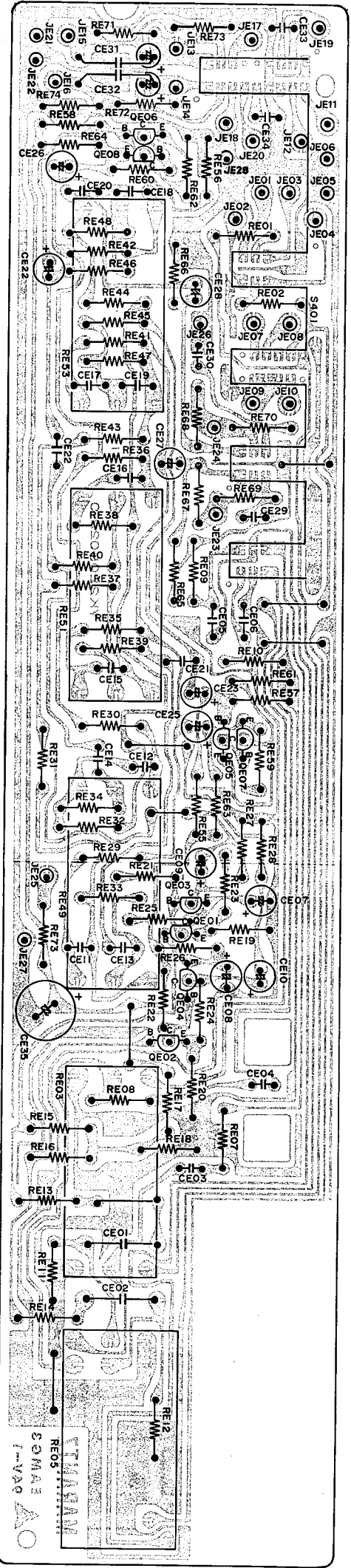
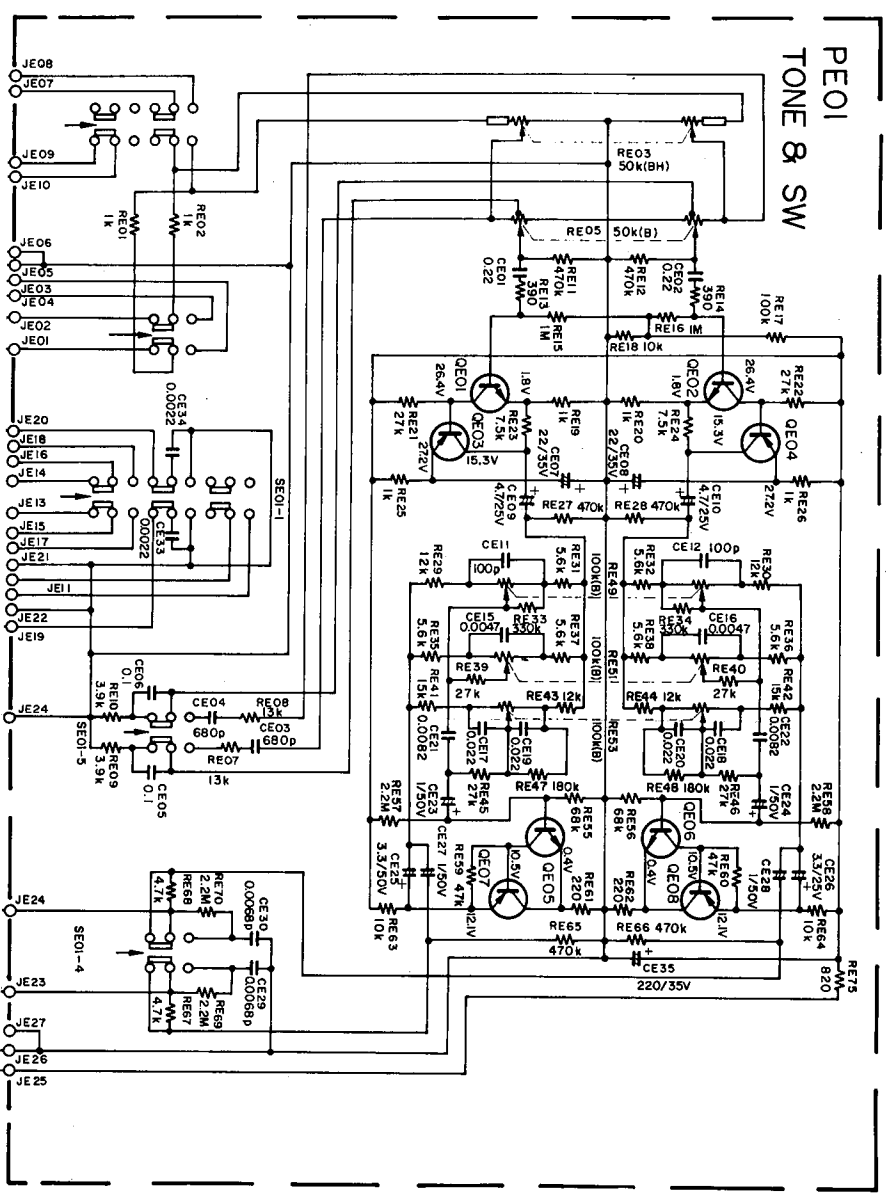
11.3 Phono Amp. Assembly (P400) Schematic Diagram and Component Locations



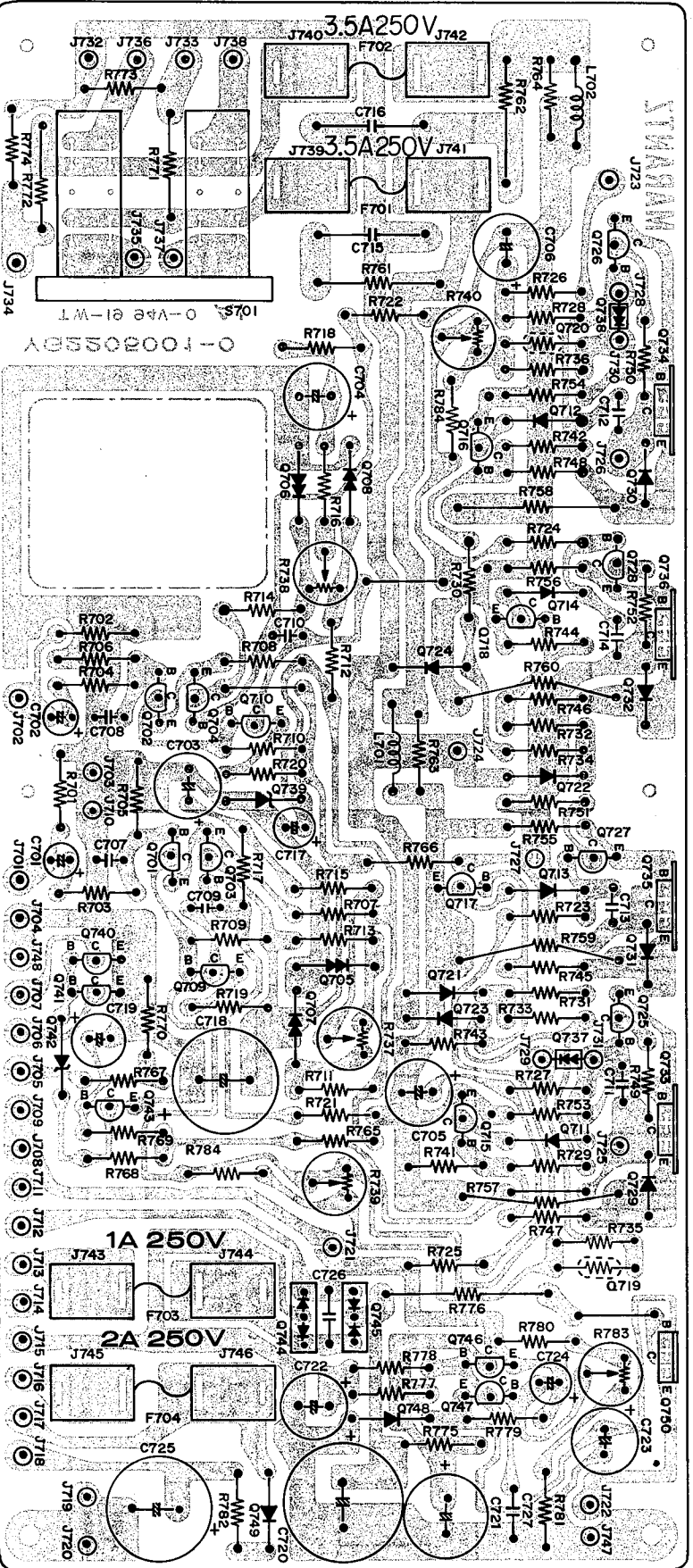
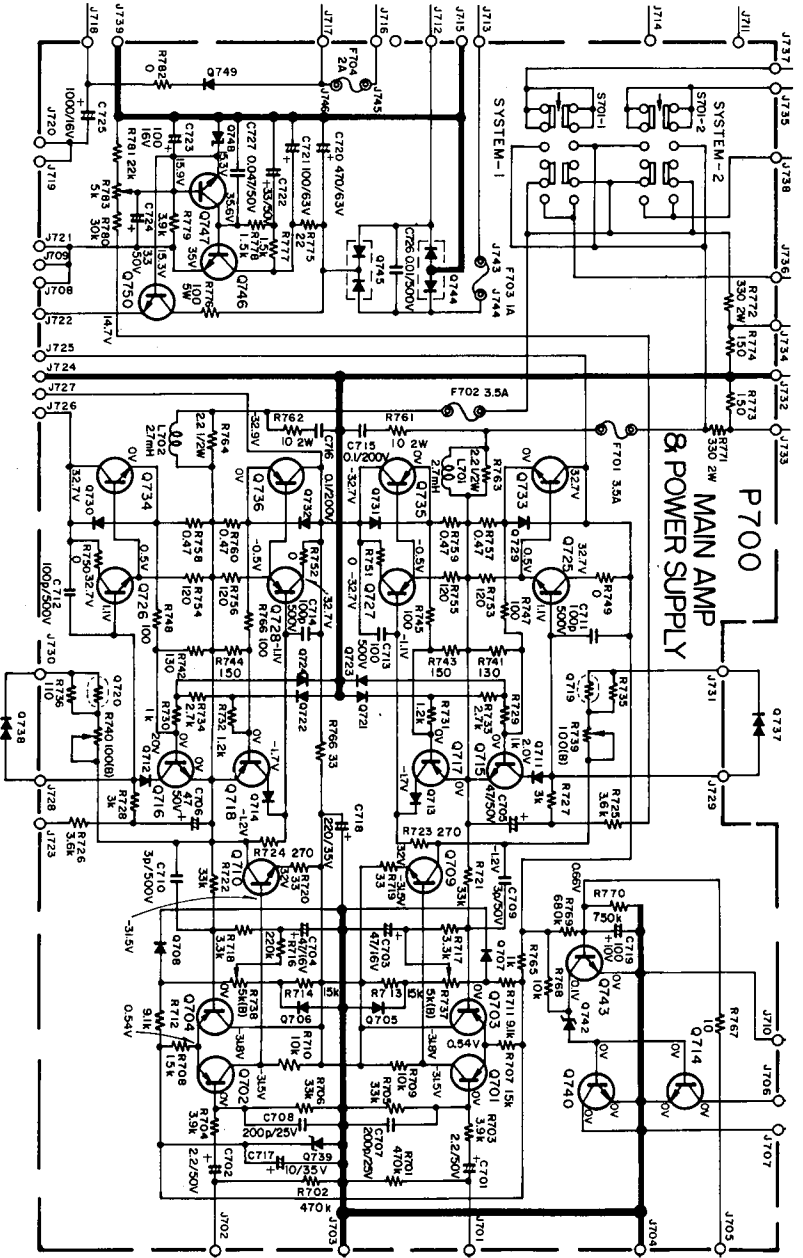
11.2 Dial Lamp Assembly (PZ01) Schematic Diagram and Component Locations



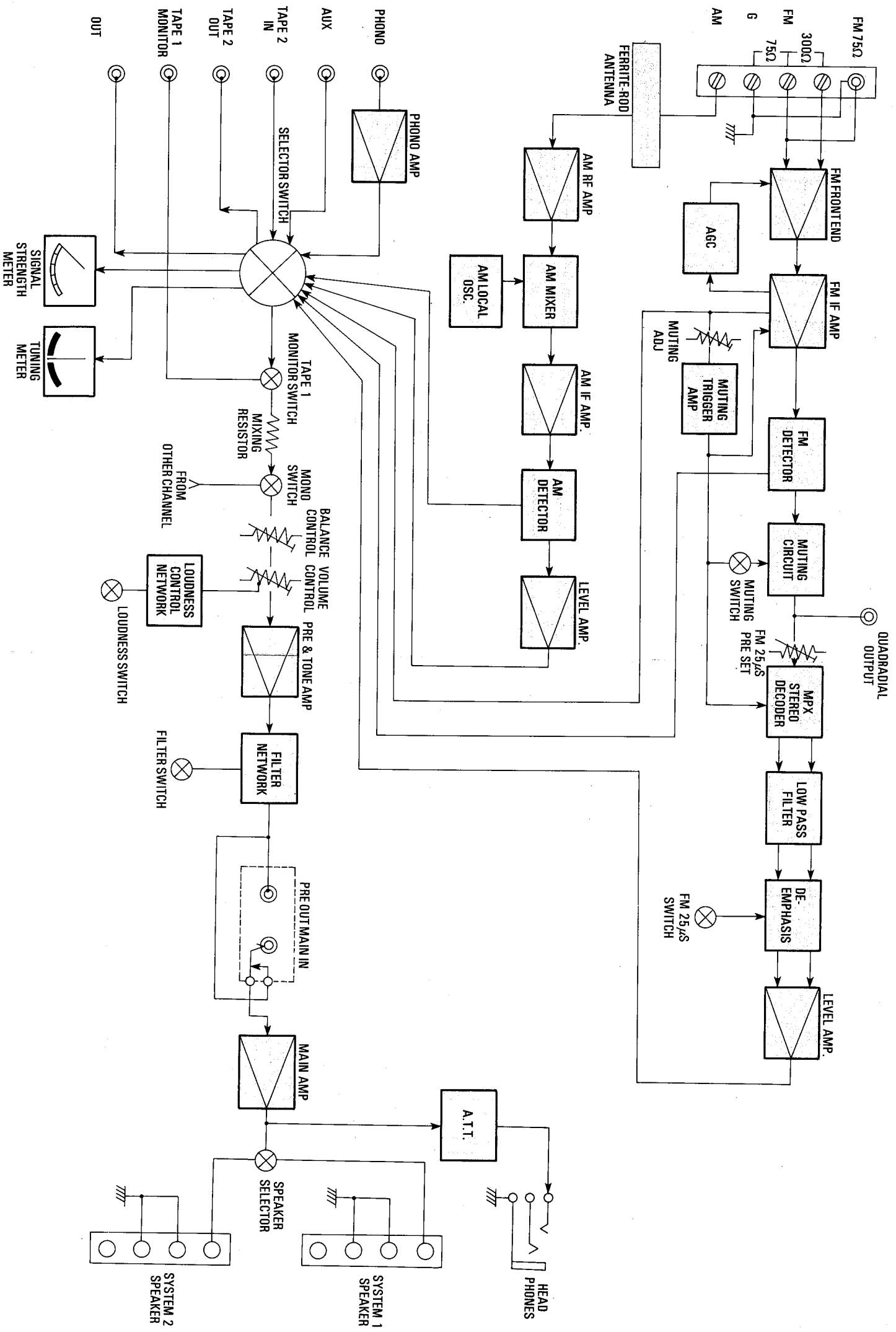
11.5 Tone Switch Assembly (PE01) Schematic Diagram and Component Locations



11.6 Main Amp. & Power Supply Assembly (P700) Schematic Diagram and Component Locations

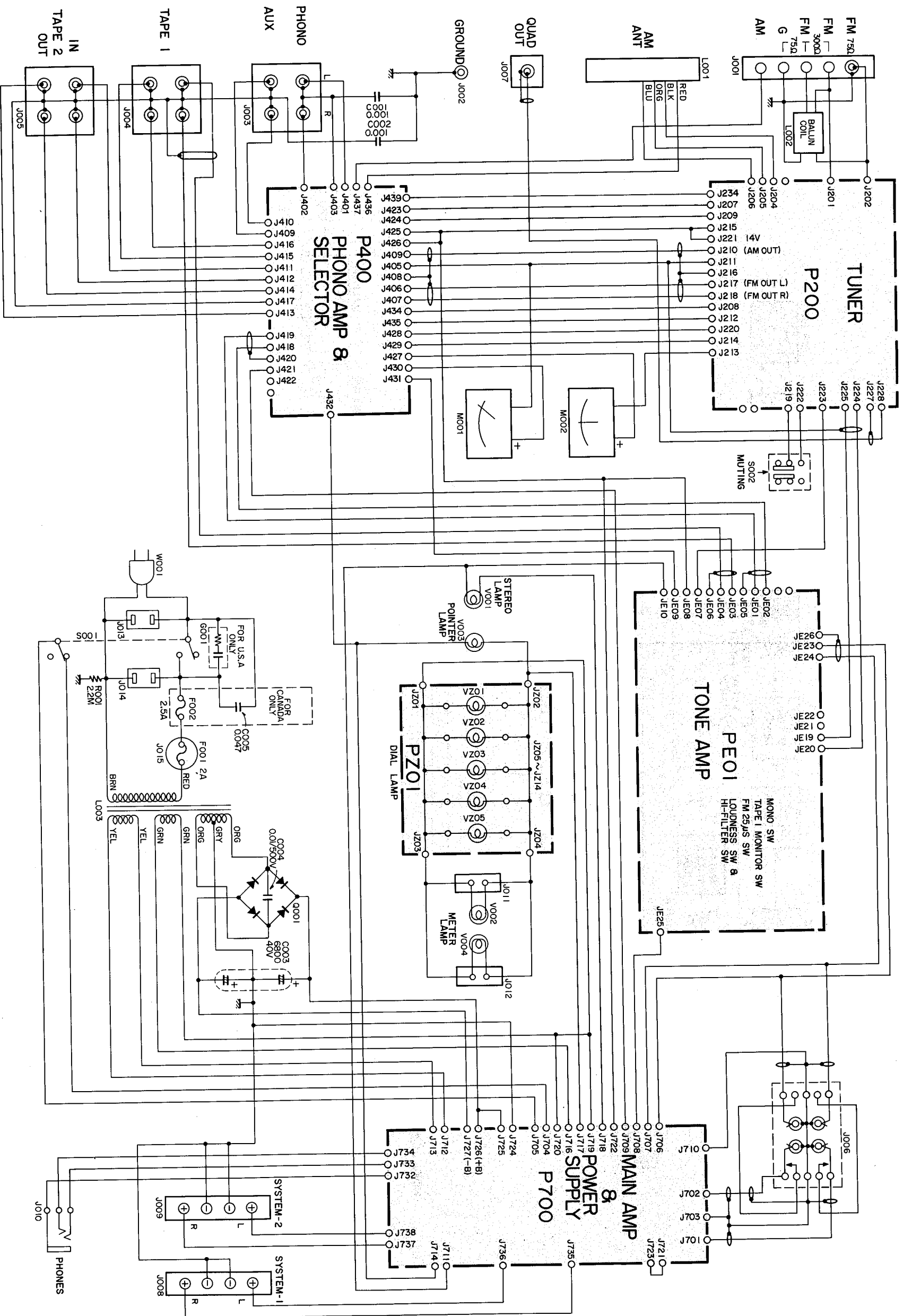


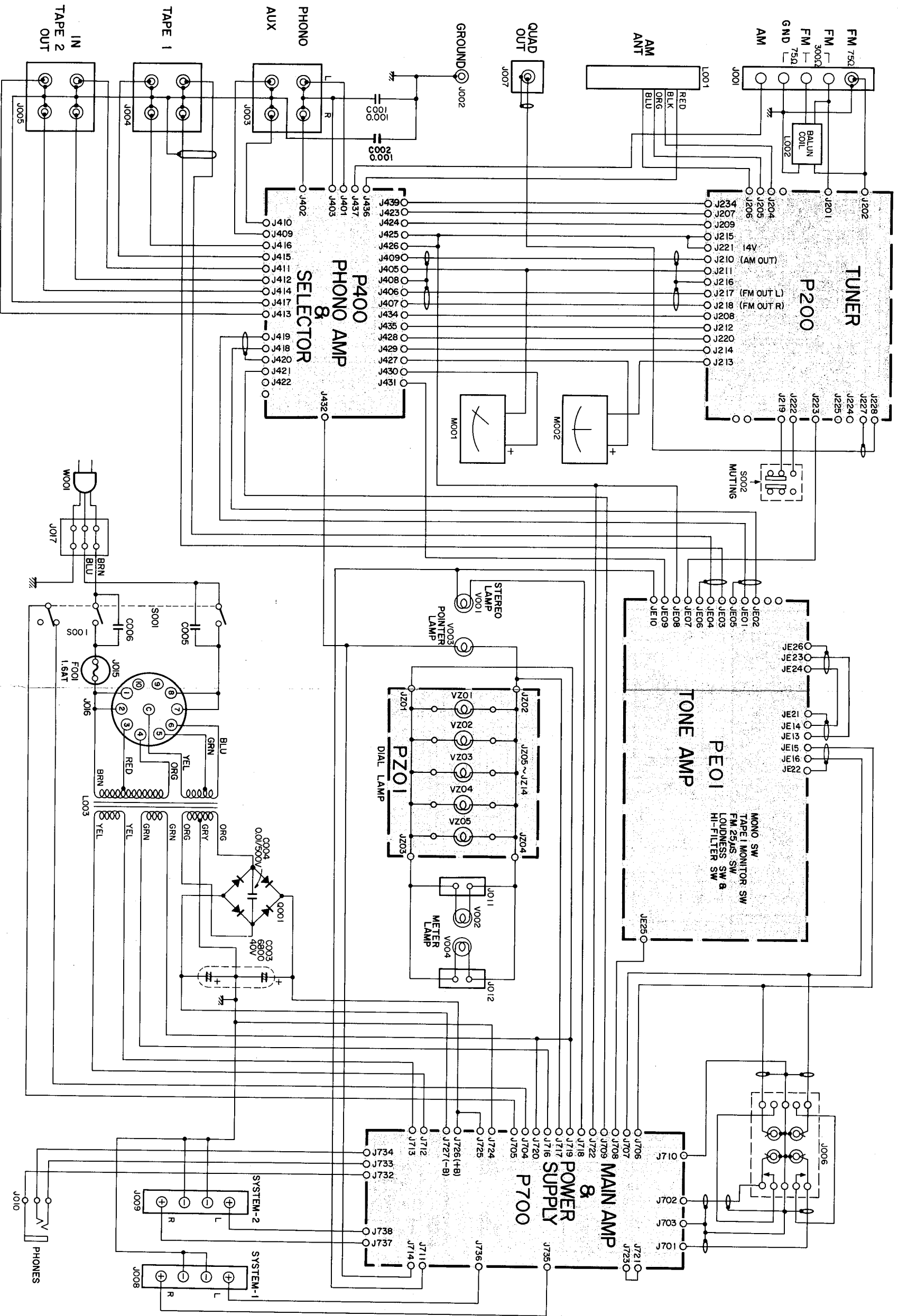
12. BLOCK DIAGRAM

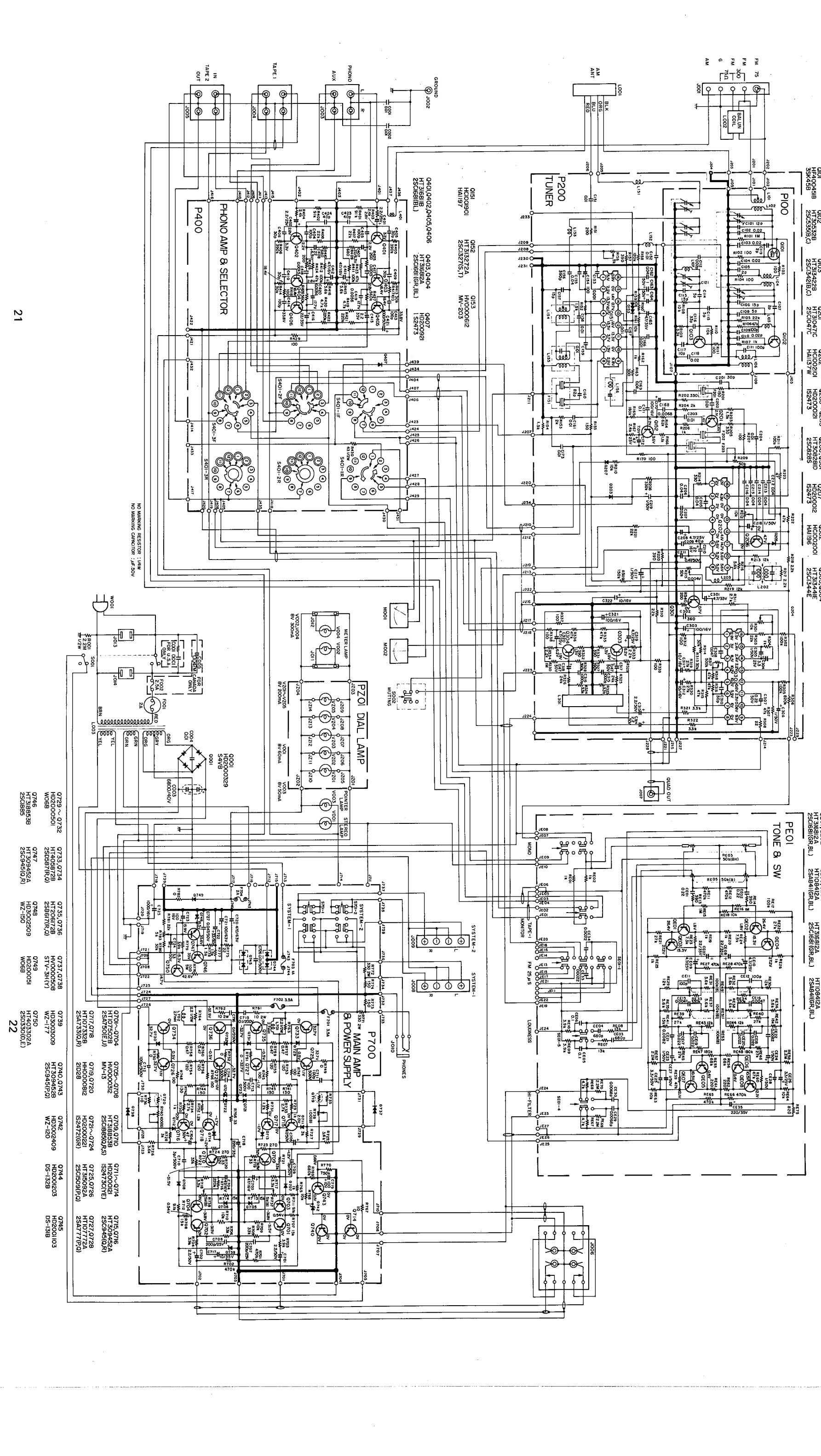


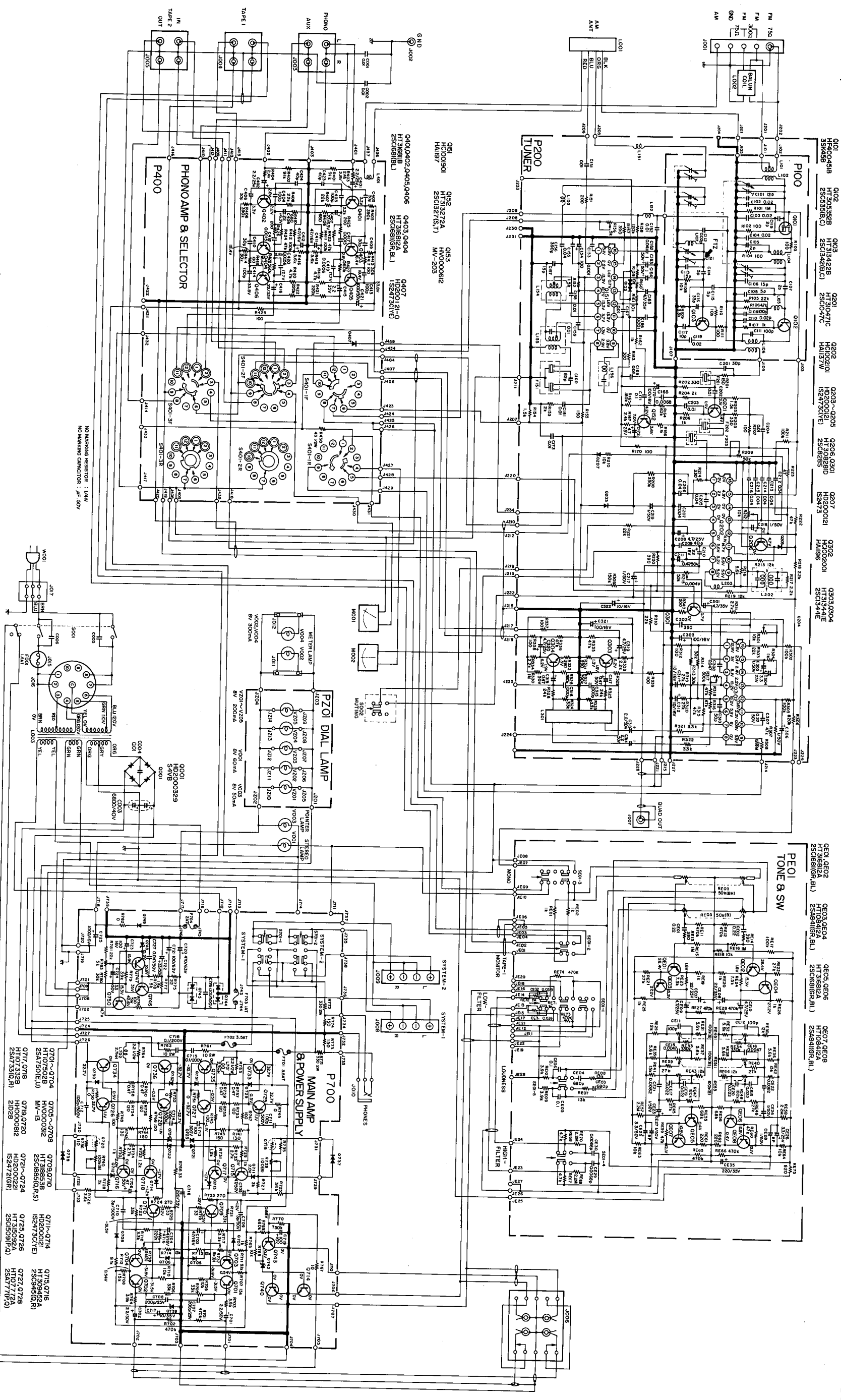
13. CONNECTION DIAGRAMS

13.1 For U.S.A. & Canadian Models

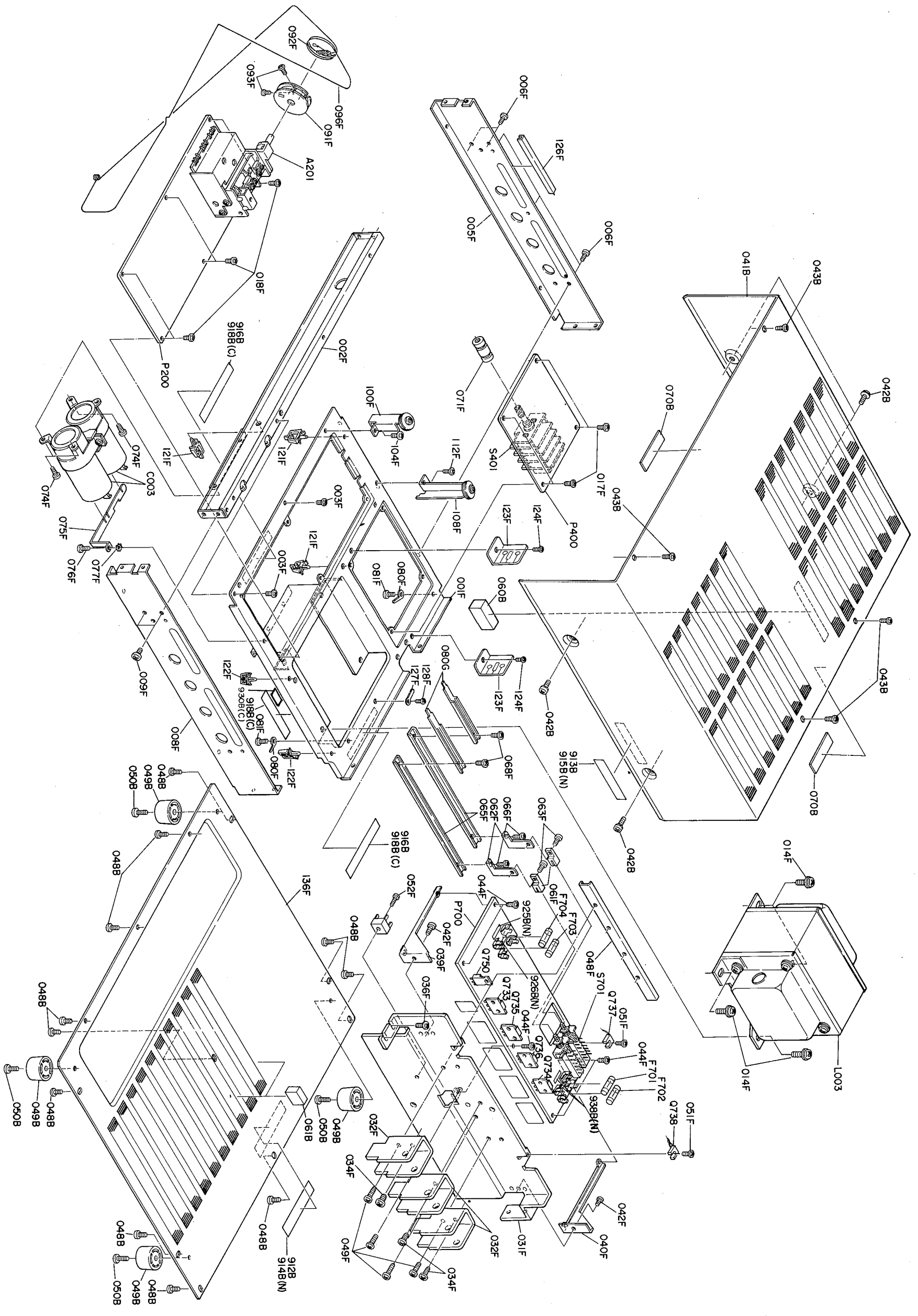




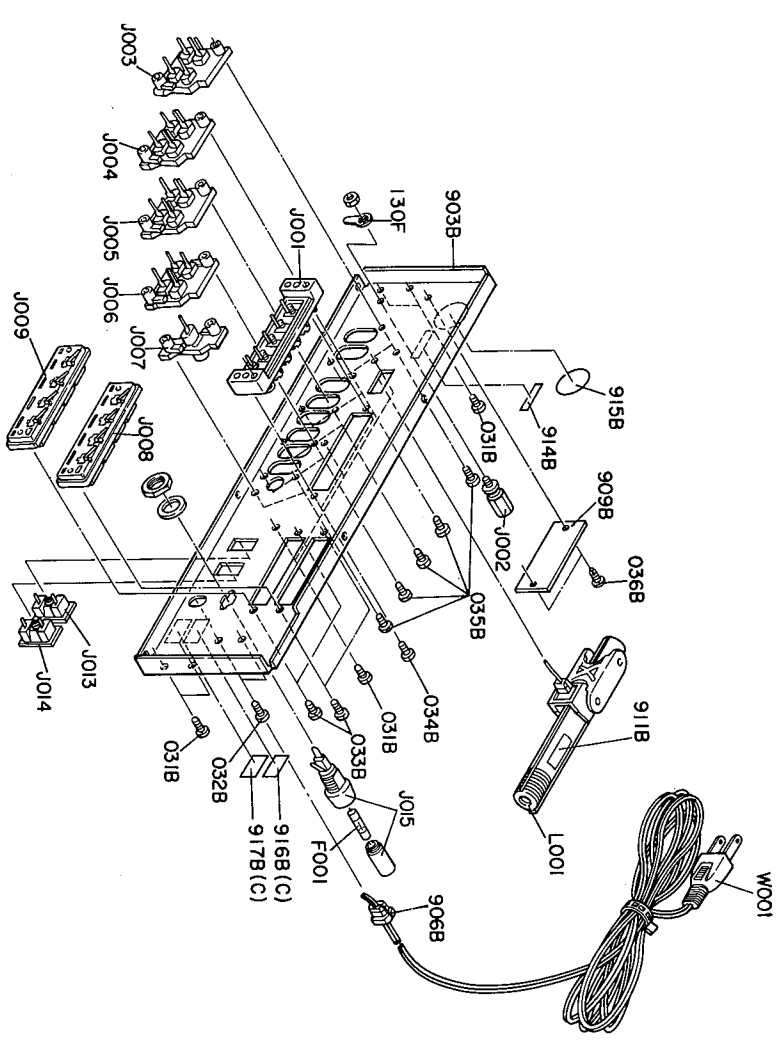




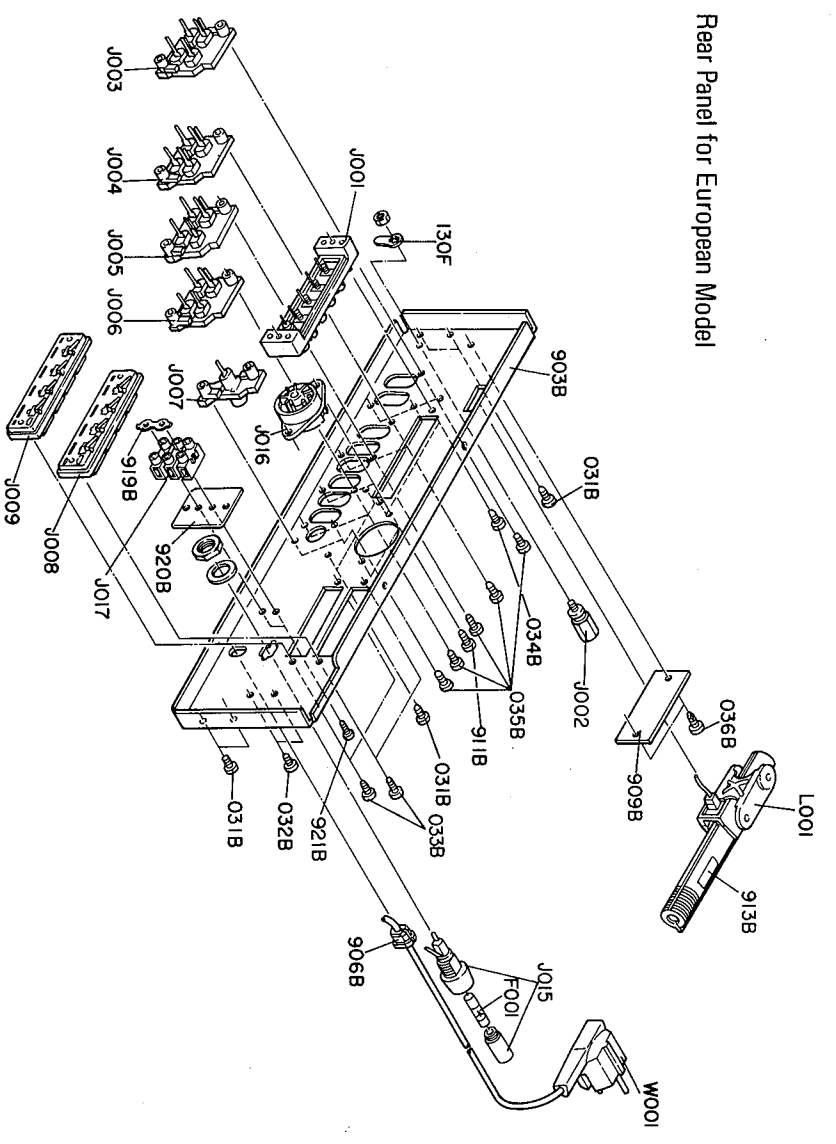
15. EXPLODED MECHANICAL DIAGRAMS
15.1 Cabinet



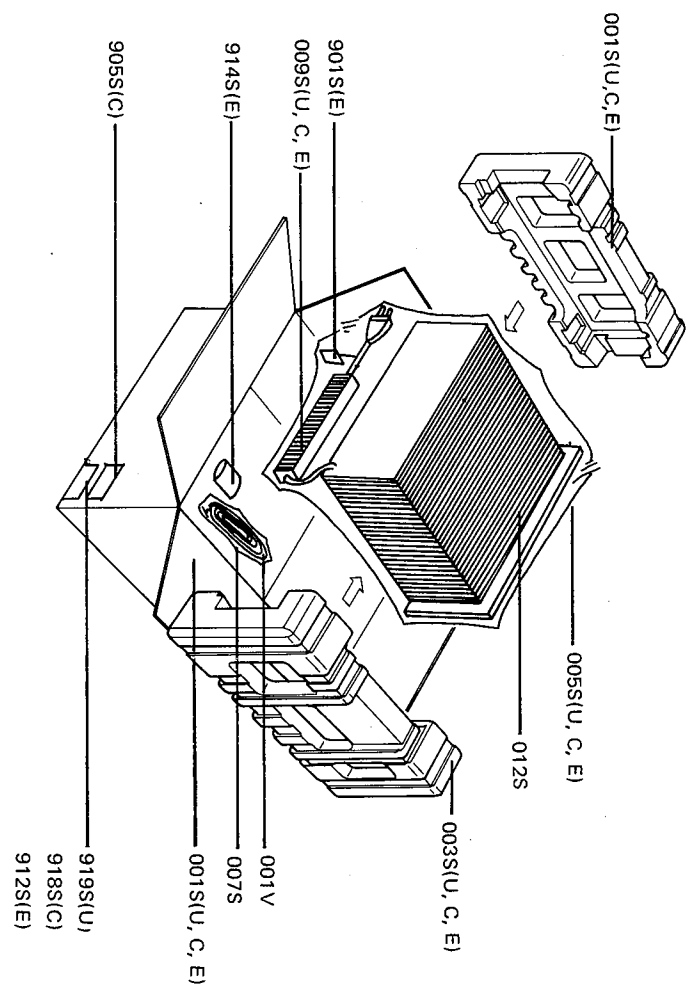
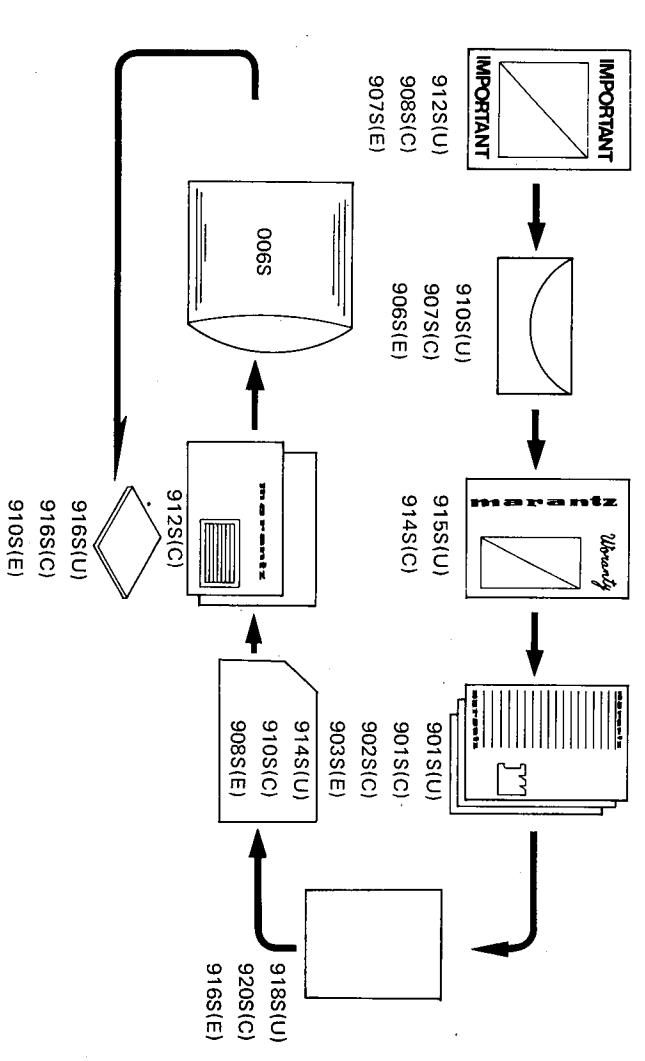
15.3 Rear Panel for U.S.A. & Canadian Models



15.4 Rear Panel for European Model



16. PACKING MATERIAL EXPLODED VIEW



- (U) for U.S.A.
- (C) for Canada
- (E) for Europe

17. PARTS LIST

- (U) for U.S.A.
- (C) for Canada
- (N) for Europe

| REF. DESIG. | Q'TY | | | PART NO. | DESCRIPTION |
|-------------|------|----|----|------------|---------------------------|
| | U | C | E | | |
| A | 1 | 1 | | 2205063400 | Front Panel Assembly |
| A1 | | | 1 | 2205063410 | Front Panel Assembly |
| 001B | 1 | 1 | 1 | 2205063012 | Escutcheon |
| 003B | 1 | 1 | 1 | 2205053012 | Cover |
| 004B | 5 | 5 | 5 | 51100305A9 | B.H.M. Screw, B3 x 5 |
| 005B | 2 | 2 | 2 | 51100306S9 | B.H.M. Screw B3 x 6 |
| 006B | 1 | 1 | 1 | 2213160170 | Bracket |
| 007B | 1 | 1 | 1 | 2211158110 | Window |
| 008B | 9 | 9 | 9 | 2978259010 | Bushing |
| 901B | 1 | 1 | | 2205063022 | Escutcheon |
| 901B | | | 1 | 2205063120 | Escutcheon |
| B | 1 | 1 | 1 | 2219273400 | Flywheel Assembly |
| 0011 | 1 | 1 | 1 | 2219273010 | Flywheel |
| 0071 | 2 | 2 | 2 | 2219063030 | Escutcheon |
| 0101 | 1 | 1 | 1 | 2219353010 | Ring |
| 0121 | 1 | 1 | 1 | 51820206B0 | P.H.M. Screw, P2 x 6 |
| C | 1 | 1 | 1 | 2205159400 | Drum Assembly |
| 091F | 1 | 1 | 1 | 2204159010 | Drum |
| 092F | 1 | 1 | 1 | 2205115020 | Spring |
| 093F | 2 | 2 | 2 | 51064019A9 | P.H.M. Screw |
| PE08 | 2 | 2 | 2 | 2933118020 | Spacer |
| PE11 | 1 | 1 | 1 | 75060751P0 | Jumper |
| PE12 | 1 | 1 | 1 | 75061001P0 | Jumper |
| PE13 | 6 | 6 | 6 | 75061251P0 | Jumper |
| P208 | 12 | 12 | 12 | 2933118020 | Spacer |
| P211 | 12 | 12 | 12 | 75061251P0 | Jumper |
| P408 | 4 | 4 | 4 | 2933118020 | Spacer |
| P411 | 1 | 1 | 1 | 75061001P0 | Jumper |
| P412 | 2 | 2 | 2 | 75061251P0 | Jumper |
| P413 | 1 | 1 | 1 | 75061501P0 | Jumper |
| P707 | 34 | 34 | 34 | 3444118050 | Spacer |
| P708 | 18 | 18 | 18 | 2933118020 | Spacer |
| P711 | 4 | 4 | 4 | 75061251P0 | Jumper |
| R308 | 1 | 1 | 1 | 75061251P0 | Jumper |
| 001F | 1 | 1 | 1 | 2205105012 | Chassis |
| 001G | 1 | 1 | 1 | 2211160043 | Bracket |
| 001H | 1 | 1 | 1 | 2991103500 | Pointer |
| 001S | 1 | 1 | 1 | 2205801010 | Packing Case |
| 001V | 1 | 1 | 1 | ZA02000070 | Ext. Antenna, FM |
| 002F | 1 | 1 | 1 | 2205126010 | Stay |
| 002I | 1 | 1 | 1 | 2213104500 | Retainer |
| 003F | 2 | 2 | 2 | 51280306B0 | B.H. Tapped Screw, B3 x 6 |
| 003G | 4 | 4 | 4 | 51280406B0 | B.H. Tapped Screw, B4 x 6 |
| 003S | 2 | 2 | 2 | 2204809012 | Cushion |
| 005F | 1 | 1 | 1 | 2205126023 | Stay |
| 005S | 1 | 1 | 1 | 9014838380 | Polyethylene Bag |
| 006F | 5 | 5 | 5 | 51280306B0 | B.H. Tapped Screw, B3 x 6 |
| 006G | 1 | 1 | 1 | 2211274102 | Reflector |
| 006S | 1 | 1 | 1 | 9013025010 | Polyethylene Bag |

| REF. DESIG. | Q'TY | | | PART NO. | DESCRIPTION |
|-------------|------|----|----|------------|----------------------------|
| | U | C | E | | |
| 007G | 1 | 1 | 1 | 2211274302 | Reflector |
| 007S | 1 | 1 | 1 | 9013025010 | Polyethylene Bag |
| 008F | 1 | 1 | 1 | 2205126033 | Stay |
| 008I | 1 | 1 | 1 | 2219112010 | Shaft |
| 009F | 2 | 2 | 2 | 51280306B0 | B.H. Tapped Screw, B3 x 6 |
| 009S | 1 | 1 | 1 | 2864804010 | Sleeve |
| 010G | 1 | 1 | 1 | 2205051013 | Guide |
| 011B | 3 | 3 | 3 | 2221154230 | Knob |
| 011G | 2 | 2 | 2 | 51042608A0 | F.H.M. Screw, F2.6 x 8 |
| 012S | 1 | 1 | 1 | 2918107130 | Sheet |
| 013B | 3 | 3 | 3 | 2205154010 | Knob |
| 013I | 1 | 1 | 1 | 59031405G9 | Washer |
| 014B | 3 | 3 | 3 | 2205154020 | Knob |
| 014F | 4 | 4 | 4 | 51490514A9 | L. Washer Screw, L5 x 14 |
| 014G | 4 | 4 | 4 | 51100306A9 | B.H.M. Screw, B3x 6 |
| 016B | 6 | 6 | 6 | 2205154030 | Knob |
| 017B | 2 | 2 | 2 | 2963154022 | Knob |
| 017F | 4 | 4 | 4 | 51280308U0 | B.H. Tapped Screw, B3 x 8 |
| 017G | 1 | 1 | 1 | 2211274203 | Reflector |
| 017I | 4 | 4 | 4 | 51470306A9 | L. Washer Screw, L3 x 6 |
| 018F | 6 | 6 | 6 | 51280308U0 | B.H. Tapped Screw, B3 x 8 |
| 018I | 1 | 1 | 1 | 2205160123 | Bracket |
| 019G | 2 | 2 | 2 | 2213053022 | Cover |
| 020G | 2 | 2 | 2 | 2991107020 | Sheet |
| 020I | 3 | 3 | 3 | 51280306B0 | B.H. Tapped Screw, B3 x 6 |
| 021B | 1 | 1 | 1 | 2213055010 | Collar |
| 022B | 4 | 4 | 4 | 52017069J0 | H. Head Bolt |
| 031B | 6 | 6 | 6 | 51280308U0 | B.H. Tapped Screw, B3 x 8 |
| 031F | 1 | 1 | 1 | 2205267012 | Heatsink |
| 031G | 1 | 1 | 1 | 2205269013 | Protector |
| 032B | 2 | 2 | 2 | 51280308U0 | B.H. Tapped Screw, B3 x 8 |
| 032F | 3 | 3 | 3 | 2205267020 | Heatsink |
| 032G | 3 | 3 | 3 | 51280306B0 | B.H. Tapped Screw, B3 x 6 |
| 033B | 4 | 4 | 4 | 51280308U0 | B.H. Tapped Screw, B3 x 8 |
| 034B | 2 | 2 | 2 | 51280308U0 | B.H. Tapped Screw, B3 x 8 |
| 034F | 3 | 3 | 3 | 51280310U0 | B.H. Tapped Screw, B3 x 10 |
| 035B | 10 | 10 | 10 | 51280308U0 | B.H. Tapped Screw, B3 x 8 |
| 036B | 2 | 2 | 2 | 51760306B0 | OS Tapped Screw, O3 x 6 |
| 036F | 2 | 2 | 2 | 51280308B0 | B.H. Tapped Screw, B3 x 8 |
| 039F | 1 | 1 | 1 | 2205160040 | Bracket |
| 039G | 1 | 1 | 1 | 2205262512 | Pulley |
| 040F | 1 | 1 | 1 | 2205160050 | Bracket |
| 041B | 1 | 1 | 1 | 2205257010 | Lid |
| 042B | 4 | 4 | 4 | 51480406S9 | F. Washer Screw, F4 x 6 |
| 042F | 2 | 2 | 2 | 51280308U0 | B.H. Tapped Screw, B3 x 8 |
| 043B | 4 | 4 | 4 | 51280306U0 | B.H. Tapped Screw, B3 x 6 |
| 044F | 5 | 5 | 5 | 51280308U0 | B.H. Tapped Screw, B3 x 8 |
| 044G | 2 | 2 | 2 | 51280306B0 | B.H. Tapped Screw, B3 x 6 |
| 047B | 1 | 1 | 1 | 2205257030 | Lid |
| 047G | 1 | 1 | 1 | 2205262502 | Pulley |
| 048B | 11 | 11 | 11 | 51280410U0 | B.H. Tapped Screw, B4 x 10 |
| 048F | 1 | 1 | 1 | 2205160062 | Bracket |
| 049B | 4 | 4 | 4 | 2932057010 | Leg |
| 049F | 4 | 4 | 4 | 51280316U0 | B.H. Tapped Screw, B3 x 16 |
| 050B | 4 | 4 | 4 | 51570410S0 | P. Tapped Screw, P4 x 10 |
| 051F | 2 | 2 | 2 | 51280310U0 | B.H. Tapped Screw, B3 x 10 |
| 052F | 1 | 1 | 1 | 51280316U0 | B.H. Tapped Screw, B3 x 16 |

- (U) for U.S.A.
- (C) for Canada
- (N) for Europe

| REF. DESIG. | Q'TY | | | PART NO. | DESCRIPTION |
|-------------|------|---|---|------------|---------------------------|
| | U | C | E | | |
| 053G | 1 | 1 | 1 | 51280306B0 | B.H. Tapped Screw, B3 x 6 |
| 061F | 2 | 2 | 2 | 2891271013 | Holder |
| 062F | 2 | 2 | 2 | 2205002012 | Arm |
| 063F | 2 | 2 | 2 | 51280306B0 | B.H. Tapped Screw, B3 x 6 |
| 063G | 2 | 2 | 2 | 51100306A9 | B.H.M. Screw, B3 x 6 |
| 064G | 2 | 2 | 2 | 51280306B0 | B.H. Tapped Screw, B3 x 6 |
| 065F | 2 | 2 | 2 | 2207160010 | Bracket |
| 066F | 2 | 2 | 2 | 51300306B0 | P.H. Tapped Screw, P3 x 6 |
| 067G | 1 | 1 | 1 | 2205160010 | Bracket |
| 068F | 2 | 2 | 2 | 51300306B0 | P.H. Tapped Screw, P3 x 6 |
| 070G | 3 | 3 | 3 | 51280306B0 | B.H. Tapped Screw, B3 x 6 |
| 071F | 1 | 1 | 1 | 2963125010 | Joint |
| 074F | 4 | 4 | 4 | 51280306B0 | B.H. Tapped Screw, B3 x 6 |
| 074G | 1 | 1 | 1 | 2213106012 | Sustainer |
| 075F | 1 | 1 | 1 | 2205160110 | Bracket |
| 075G | 1 | 1 | 1 | 51280306B0 | B.H. Tapped Screw, B3 x 6 |
| 076F | 1 | 1 | 1 | 51280306B0 | B.H. Tapped Screw, B3 x 6 |
| 077F | 1 | 1 | 1 | 54050300R0 | T.L. Washer OR |
| 080F | 2 | 2 | 2 | 62030049W0 | Lug |
| 080G | 2 | 2 | 2 | 2205160032 | Bracket |
| 081F | 2 | 2 | 2 | 51280306B0 | B.H. Tapped Screw, B3 x 6 |
| 091G | 1 | 1 | 1 | 2205112500 | Shaft |
| 096F | 2 | 2 | 2 | 72071605A0 | String |
| 097G | 2 | 2 | 2 | 51280308B0 | B.H. Tapped Screw, B3 x 8 |
| 100F | 1 | 1 | 1 | 2205262520 | Pulley |
| 104F | 1 | 1 | 1 | 51280306B0 | B.H. Tapped Screw, B3 x 6 |
| 105G | 1 | 1 | 1 | 2205302010 | Dial |
| 106G | 1 | 1 | 1 | 2213107010 | Sheet |
| 108F | 1 | 1 | 1 | 2205262530 | Pulley |
| 112F | 1 | 1 | 1 | 51280306B0 | B.H. Tapped Screw, B3 x 6 |
| 121F | 5 | 5 | 5 | 2886005020 | Clamper |
| 122F | 2 | 2 | 2 | 2886005050 | Clamper |
| 123F | 1 | 1 | 1 | 2205120010 | Insulator |
| 124F | 2 | 2 | 2 | 51280306B0 | B.H. Tapped Screw, B3 x 6 |
| 127F | 1 | 1 | 1 | 62030049W0 | Lug |
| 128F | 1 | 1 | 1 | 51280306B0 | B.H. Tapped Screw, B3 x 6 |
| 130F | 1 | 1 | 1 | 62040029W0 | Lug |
| 132F | 1 | 1 | 1 | 62030049W0 | Lug |
| 135F | 1 | 1 | 1 | 2991109010 | Shield |
| 136F | 1 | 1 | 1 | 2991053110 | Cover |
| 901S | 1 | | | 2205851010 | Instructions |
| 901S | 1 | 1 | | 2205851310 | Instructions |
| 901S | | | 1 | 9560000040 | Hang Tag |
| 902S | | 1 | | 2886851100 | Instructions |
| 903B | 1 | 1 | | 2205160213 | Bracket |
| 903B | | | 1 | 2205160232 | Bracket |
| 903S | | | 1 | 2205851310 | Instructions |
| 905S | | 2 | | 9510901020 | Label |
| 906B | 1 | 1 | | 1455259030 | Bushing |
| 906B | | | 1 | 1455259040 | Bushing |
| 906S | | | 1 | 2818813010 | Envelope |
| 907S | | | 1 | 2818851120 | Instructions |
| 907S | | 1 | | 2918813012 | Envelope |
| 908S | | | 1 | 2818851120 | Instructions |
| 908S | | | 1 | 9630000180 | Guarantee Card |
| 909B | 1 | | | 2205265010 | Indicator |
| 909B | | | 1 | 2205265020 | Indicator |

| REF. DESIG. | Q'TY | | | PART NO. | DESCRIPTION |
|-------------|------|---|---|------------|-----------------------------------|
| | U | C | E | | |
| 909B | | | 1 | 2205265030 | Indicator |
| 910S | 1 | | | 2577813010 | Envelope |
| 910S | | | 1 | 2818851140 | Instructions |
| 910S | | 1 | | 9630000180 | Guarantee Card |
| 911B | 1 | | | 2506265060 | Indicator |
| 911B | | | 1 | 2911861170 | Label |
| 911B | | | 2 | 51100308S9 | B.H.M. Screw, B3 x 8 |
| 912B | 1 | | | 2578861010 | Label |
| 912B | | | 1 | 2911861112 | Label |
| 912S | 1 | | | 2577851020 | Instructions |
| 912S | | | 3 | 9523015110 | Serial No. Card |
| 912S | | 1 | | 9650000050 | S. Station Card |
| 913B | | | 1 | 2506265060 | Indicator |
| 913B | | | 1 | 2911861142 | Label |
| 913B | | 1 | | 2932861010 | Label |
| 914B | | | 1 | 2578861010 | Label |
| 914B | | | 1 | 9510911010 | Label |
| 914B | 1 | | | 9510911020 | Label |
| 914S | 1 | | | 2577854012 | Guarantee Card |
| 914S | | | 1 | 2731821010 | Silicagel |
| 914S | | 1 | | 2818854042 | Guarantee Card |
| 915B | | | 1 | 2932861010 | Label |
| 915B | 1 | | | 9511101020 | Label |
| 915S | 1 | | | 2818854023 | Guarantee Card |
| 916B | 2 | | 2 | 2205861010 | Label |
| 916B | | | 1 | 2911861192 | Label |
| 916S | 1 | | | 2818851040 | Instructions |
| 916S | | | 1 | 2818851140 | Instructions |
| 917B | | | 1 | 2911861260 | Label |
| 918B | | | 3 | 2205861110 | Label |
| 918S | | | 3 | 9523015120 | Serial No. Card |
| 918S | 1 | | | 2205851020 | Flysheet |
| 920S | | | 1 | 2205851050 | Flysheet |
| 916S | | | 1 | 2205851030 | Flysheet |
| 919B | | | 1 | 2970005010 | Clamper |
| 919S | 3 | | | 9522815010 | Serial No. Card |
| 920B | 1 | | 1 | 2963154022 | Knob |
| 920B | | | 1 | 4113120010 | Insulator |
| 921B | | | 2 | 51100314S9 | B.H.M. Screw, B3 x 14 |
| 924B | | | 1 | 2218154020 | Knob |
| 925B | 1 | | 1 | 2205160020 | Bracket |
| 925B | | | 1 | 9512601060 | Label |
| 926B | | | 1 | 9512601030 | Label |
| 930B | | | 1 | 9510601130 | Label |
| 935B | | | 1 | 2205160150 | Bracket |
| 936B | | | 4 | 2970120030 | Insulator |
| 938B | | | 2 | 9512601090 | Label |
| CE01 | 1 | 1 | 1 | DF17224050 | Film Cap., 0.22μF ±20% 50V |
| CE02 | 1 | 1 | 1 | DF17224050 | Film Cap., 0.22μF ±20% 50V |
| CE03 | 1 | 1 | 1 | DK16681010 | Ceramic Cap., 680pF ±10% 50V |
| CE04 | 1 | 1 | 1 | DK16681010 | Ceramic Cap., 680pF ±10% 50V |
| CE05 | 1 | 1 | 1 | DF16104010 | Film Cap., 0.1μF ±10% 50V |
| CE06 | 1 | 1 | 1 | DF16104010 | Film Cap., 0.1μF ±10% 50V |
| CE07 | 1 | 1 | 1 | EA10603590 | Electrolytic Cap., 10μF ±10% 35V |
| CE08 | 1 | 1 | 1 | EA10603590 | Electrolytic Cap., 10μF ±10% 35V |
| CE09 | 1 | 1 | 1 | EE47502540 | Electrolytic Cap., 4.7μF ±20% 25V |
| CE10 | 1 | 1 | 1 | EE47502540 | Electrolytic Cap., 4.7μF ±20% 25V |
| CE11 | 1 | 1 | 1 | DD16101010 | Ceramic Cap., 100pF ±10% 50V |
| CE12 | 1 | 1 | 1 | DD16101010 | Ceramic Cap., 100pF ±10% 50V |
| CE13 | 1 | 1 | 1 | DF16222050 | Film Cap., 0.0022μF ±10% 50V |

- (U) for U.S.A.
- (C) for Canada
- (N) for Europe

| REF. DESIG. | Q'TY | | | PART NO. | DESCRIPTION |
|------------------------|------|----|----|-------------|------------------------------------|
| | U | C | E | | |
| CE14 | 1 | 1 | 1 | DF16222050 | Film Cap., 0.0022μF ±10% 50V |
| CE15 | 1 | 1 | 1 | DF16472050 | Film Cap., 0.0047μF ±10% 50V |
| CE16 | 1 | 1 | 1 | DF16472050 | Film Cap., 0.0047μF ±10% 50V |
| CE17 | 1 | 1 | 1 | DF16223050 | Film Cap., 0.022μF ±10% 50V |
| CE18 | 1 | 1 | 1 | DF16223050 | Film Cap., 0.022μF ±10% 50V |
| CE19 | 1 | 1 | 1 | DF16223050 | Film Cap., 0.022μF ±10% 50V |
| CE20 | 1 | 1 | 1 | DF16223050 | Film Cap., 0.022μF ±10% 50V |
| CE21 | 1 | 1 | 1 | DF16822050 | Film Cap., 0.0082μF ±10% 50V |
| CE22 | 1 | 1 | 1 | DF16822050 | Film Cap., 0.0082μF ±10% 50V |
| CE23 | 1 | 1 | 1 | EE10505010 | Electrolytic Cap., 1μF ±20% 50V |
| CE24 | 1 | 1 | 1 | EE10505010 | Electrolytic Cap., 1μF ±20% 50V |
| CE25 | 1 | 1 | 1 | EE33505010 | Electrolytic Cap., 3.3μF ±20% 50V |
| CE26 | 1 | 1 | 1 | EE33505010 | Electrolytic Cap., 3.3μF ±20% 50V |
| CE27 | 1 | 1 | 1 | EQ10505010 | Electrolytic Cap., 1μF ±30% 50V |
| CE27 | 1 | 1 | 1 | EQ10603510 | Electrolytic Cap., 10μF ±30% 35V |
| CE28 | 1 | 1 | 1 | EQ10505010 | Electrolytic Cap., 1μF ±30% 50V |
| CE28 | 1 | 1 | 1 | EQ10603510 | Electrolytic Cap., 10μF ±30% 35V |
| CE29 | 1 | 1 | 1 | DF16682050 | Film Cap., 0.0068μF ±10% 50V |
| CE30 | 1 | 1 | 1 | DF16682050 | Film Cap., 0.0068μF ±10% 50V |
| CE31 | 1 | 1 | 1 | EQ22405010 | Electrolytic Cap., 0.22μF ±30% 50V |
| CE32 | 1 | 1 | 1 | EQ22405010 | Electrolytic Cap., 0.22μF ±30% 50V |
| CE33 | 1 | 1 | 1 | DF15222050 | Film Cap., 0.0022μF ±5% 50V |
| CE34 | 1 | 1 | 1 | DF15222050 | Film Cap., 0.0022μF ±5% 50V |
| CE35 | 1 | 1 | 1 | EA22703590 | Electrolytic Cap., 220μF ±10% 35V |
| JE01 | ? | 27 | 27 | YP10001130 | Plug |
| JE27 | | | | | |
| JE28 | 1 | 1 | 1 | YP10001130 | Plug, Pin |
| JE29 | 1 | 1 | 1 | YP10001130 | Plug, Pin |
| PE01 TONE BOARD | | | | | |
| PE01 | 1 | 1 | 1 | YK22050220 | P.W. Board |
| | 1 | 1 | 1 | ZZ22050220 | P.W. Board Assembly |
| | | | | ZZ220508220 | P.W. Board Assembly |
| QE01 | 1 | 1 | 1 | HT316812A0 | Transistor, 2SC1681 (GR, BL) |
| QE02 | 1 | 1 | 1 | HT316812A0 | Transistor, 2SC1681 (GR, BL) |
| QE03 | 1 | 1 | 1 | HT108412A0 | Transistor, 2SA 841 (GR, BL) |
| QE04 | 1 | 1 | 1 | HT108412A0 | Transistor, 2SA 841 (GR, BL) |
| QE05 | 1 | 1 | 1 | HT316812A0 | Transistor, 2SC1681 (GR, BL) |
| QE06 | 1 | 1 | 1 | HT316812A0 | Transistor, 2SC1681 (GR, BL) |
| QE07 | 1 | 1 | 1 | HT108412A0 | Transistor, 2SA 841 (GR, BL) |
| QE08 | 1 | 1 | 1 | HT108412A0 | Transistor, 2SA 841 (GR, BL) |
| RE01 | 1 | 1 | 1 | RT05102140 | Resistor, 1kΩ ±5% ¼W |
| RE02 | 1 | 1 | 1 | RT05102140 | Resistor, 1kΩ ±5% ¼W |
| RE03 | 1 | 1 | 1 | RM05030690 | Variable Resistor, 50kΩ (BH) Bal. |
| RE05 | 1 | 1 | 1 | RM05030700 | Variable Resistor, 50kΩ (B) Vol. |
| RE07 | 1 | 1 | 1 | RT05133140 | Resistor, 13kΩ ±5% ¼W |
| RE08 | 1 | 1 | 1 | RT05133140 | Resistor, 13kΩ ±5% ¼W |
| RE09 | 1 | 1 | 1 | RT05392140 | Resistor, 3.9kΩ ±5% ¼W |
| RE10 | 1 | 1 | 1 | RT05392140 | Resistor, 3.9kΩ ±5% ¼W |
| RE11 | 1 | 1 | 1 | RT05474140 | Resistor, 470kΩ ±5% ¼W |
| RE12 | 1 | 1 | 1 | RT05474140 | Resistor, 470kΩ ±5% ¼W |
| RE13 | 1 | 1 | 1 | RT05391140 | Resistor, 390Ω ±5% ¼W |
| RE14 | 1 | 1 | 1 | RT05391140 | Resistor, 390Ω ±5% ¼W |
| RE15 | 1 | 1 | 1 | RT05105140 | Resistor, 1MΩ ±5% ¼W |
| RE16 | 1 | 1 | 1 | RT05105140 | Resistor, 1MΩ ±5% ¼W |
| RE17 | 1 | 1 | 1 | RT05104140 | Resistor, 100kΩ ±5% ¼W |

| REF. DESIG. | Q'TY | | | PART NO. | DESCRIPTION |
|-------------|------|---|---|------------|-------------------------------------|
| | U | C | E | | |
| RE18 | 1 | 1 | 1 | RT05103140 | Resistor, 10kΩ ±5% ¼W |
| RE19 | 1 | 1 | 1 | RT05102140 | Resistor, 1kΩ ±5% ¼W |
| RE20 | 1 | 1 | 1 | RT05102140 | Resistor, 1kΩ ±5% ¼W |
| RE21 | 1 | 1 | 1 | RT05273140 | Resistor, 27kΩ ±5% ¼W |
| RE22 | 1 | 1 | 1 | RT05273140 | Resistor, 27kΩ ±5% ¼W |
| RE23 | 1 | 1 | 1 | RT05752140 | Resistor, 7.5kΩ ±5% ¼W |
| RE23 | 1 | 1 | 1 | RT05822140 | Resistor, 8.2kΩ ±5% ¼W |
| RE24 | 1 | 1 | 1 | RT05752140 | Resistor, 7.5kΩ ±5% ¼W |
| RE24 | 1 | 1 | 1 | RT05822140 | Resistor, 8.2kΩ ±5% ¼W |
| RE25 | 1 | 1 | 1 | RT05102140 | Resistor, 1kΩ ±5% ¼W |
| RE26 | 1 | 1 | 1 | RT05102140 | Resistor, 1kΩ ±5% ¼W |
| RE27 | 1 | 1 | 1 | RT05474140 | Resistor, 470kΩ ±5% ¼W |
| RE28 | 1 | 1 | 1 | RT05474140 | Resistor, 470kΩ ±5% ¼W |
| RE29 | 1 | 1 | 1 | RT05123140 | Resistor, 12kΩ ±5% ¼W |
| RE30 | 1 | 1 | 1 | RT05123140 | Resistor, 12kΩ ±5% ¼W |
| RE31 | 1 | 1 | 1 | RT05562140 | Resistor, 5.6kΩ ±5% ¼W |
| RE32 | 1 | 1 | 1 | RT05562140 | Resistor, 5.6kΩ ±5% ¼W |
| RE33 | 1 | 1 | 1 | RT05334140 | Resistor, 330kΩ ±5% ¼W |
| RE34 | 1 | 1 | 1 | RT05334140 | Resistor, 330kΩ ±5% ¼W |
| RE35 | 1 | 1 | 1 | RT05562140 | Resistor, 5.6kΩ ±5% ¼W |
| RE36 | 1 | 1 | 1 | RT05562140 | Resistor, 5.6kΩ ±5% ¼W |
| RE37 | 1 | 1 | 1 | RT05562140 | Resistor, 5.6kΩ ±5% ¼W |
| RE38 | 1 | 1 | 1 | RT05562140 | Resistor, 5.6kΩ ±5% ¼W |
| RE39 | 1 | 1 | 1 | RT05273140 | Resistor, 27kΩ ±5% ¼W |
| RE40 | 1 | 1 | 1 | RT05273140 | Resistor, 27kΩ ±5% ¼W |
| RE41 | 1 | 1 | 1 | RT05153140 | Resistor, 15kΩ ±5% ¼W |
| RE42 | 1 | 1 | 1 | RT05153140 | Resistor, 15kΩ ±5% ¼W |
| RE43 | 1 | 1 | 1 | RT05123140 | Resistor, 12kΩ ±5% ¼W |
| RE44 | 1 | 1 | 1 | RT05123140 | Resistor, 12kΩ ±5% ¼W |
| RE45 | 1 | 1 | 1 | RT05273140 | Resistor, 27kΩ ±5% ¼W |
| RE46 | 1 | 1 | 1 | RT05273140 | Resistor, 27kΩ ±5% ¼W |
| RE47 | 1 | 1 | 1 | RT05334140 | Resistor, 330kΩ ±5% ¼W |
| RE48 | 1 | 1 | 1 | RT05334140 | Resistor, 330kΩ ±5% ¼W |
| RE49 | 1 | 1 | 1 | RD01040150 | Variable Resistor, 100kΩ (B) Treble |
| RE51 | 1 | 1 | 1 | RD01040150 | Variable Resistor, 100kΩ (B) Mid |
| RE53 | 1 | 1 | 1 | RD01040150 | Variable Resistor, 100kΩ (B) Bass |
| RE55 | 1 | 1 | 1 | RT05683140 | Resistor, 68kΩ ±5% ¼W |
| RE56 | 1 | 1 | 1 | RT05683140 | Resistor, 68kΩ ±5% ¼W |
| RE57 | 1 | 1 | 1 | RT05225140 | Resistor, 2.2MΩ ±5% ¼W |
| RE58 | 1 | 1 | 1 | RT05225140 | Resistor, 2.2MΩ ±5% ¼W |
| RE59 | 1 | 1 | 1 | RT05473140 | Resistor, 47kΩ ±5% ¼W |
| RE60 | 1 | 1 | 1 | RT05473140 | Resistor, 47kΩ ±5% ¼W |
| RE61 | 1 | 1 | 1 | RT05221140 | Resistor, 220Ω ±5% ¼W |
| RE62 | 1 | 1 | 1 | RT05221140 | Resistor, 220Ω ±5% ¼W |
| RE63 | 1 | 1 | 1 | RT05103140 | Resistor, 10kΩ ±5% ¼W |
| RE64 | 1 | 1 | 1 | RT05103140 | Resistor, 10kΩ ±5% ¼W |
| RE65 | 1 | 1 | 1 | RT05474140 | Resistor, 470kΩ ±5% ¼W |
| RE66 | 1 | 1 | 1 | RT05474140 | Resistor, 470kΩ ±5% ¼W |
| RE67 | 1 | 1 | 1 | RT05472140 | Resistor, 4.7kΩ ±5% ¼W |
| RE68 | 1 | 1 | 1 | RT05472140 | Resistor, 4.7kΩ ±5% ¼W |
| RE69 | 1 | 1 | 1 | RT05225140 | Resistor, 2.2MΩ ±5% ¼W |
| RE70 | 1 | 1 | 1 | RT05225140 | Resistor, 2.2MΩ ±5% ¼W |
| RE71 | 1 | 1 | 1 | RT05105140 | Resistor, 1MΩ ±5% ¼W |
| RE72 | 1 | 1 | 1 | RT05105140 | Resistor, 1MΩ ±5% ¼W |
| RE73 | 1 | 1 | 1 | RT05562140 | Resistor, 5.6kΩ ±5% ¼W |
| RE74 | 1 | 1 | 1 | RT05562140 | Resistor, 5.6kΩ ±5% ¼W |
| RE75 | 1 | 1 | 1 | RT05821140 | Resistor, 820Ω ±5% ¼W |

• (U) for U.S.A.
 • (C) for Canada
 • (N) for Europe

| REF. DESIG. | Q'TY | | | PART NO. | DESCRIPTION |
|-----------------------------|------|----|----|------------|-------------------------------------|
| | U | C | E | | |
| SE01 | 1 | 1 | 1 | SP06050110 | Pushswitch, Dolby, Tape, Mono, etc. |
| JZ01 | 7 | 7 | 7 | YP10001130 | Plug |
| JZ07 | | | | | |
| JZ08 | | | | | |
| JZ17 | 10 | 10 | 10 | YJ08000170 | Jack |
| PZ01 DIAL LAMP BOARD | | | | | |
| PZ01 | 1 | 1 | 1 | YF22130050 | P.W. Board |
| | 1 | 1 | 1 | ZZ22130050 | P.W. Board Assembly |
| VZ01 | 1 | 1 | 1 | IN10080070 | Lamp, 8V 200mA |
| VZ02 | 1 | 1 | 1 | IN10080070 | Lamp, 8V 200mA |
| VZ03 | 1 | 1 | 1 | IN10080070 | Lamp, 8V 200mA |
| VZ04 | 1 | 1 | 1 | IN10080070 | Lamp, 8V 200mA |
| VZ05 | 1 | 1 | 1 | IN10080070 | Lamp, 8V 200mA |
| C001 | 1 | 1 | 1 | DK18103010 | Ceramic Cap., 0.01μF 50V |
| C002 | 1 | 1 | 1 | DK18103010 | Ceramic Cap., 0.01μF 50V |
| C003 | 1 | 1 | 1 | EI68804020 | Electrolytic Cap., 6800μF ±5% 40V |
| C004 | 1 | 1 | 1 | DK18103510 | Ceramic Cap., 0.01μF 500V |
| C005 | 1 | | | DF17473590 | Film Cap., 0.047μF |
| C005 | | | 1 | DO07223510 | Oil-Paper Cap., 0.022μF ±20% 450V |
| C006 | | | 1 | DO07223510 | Oil-Paper Cap., 0.022μF ±20% 450V |
| F001 | | | 1 | FS10160800 | Fuse, SEMKO 1.6A |
| F001 | 1 | 1 | | FS10200060 | Fuse, MGC 2A 30mm |
| F002 | | | 1 | FS20250910 | Fuse, 2.5A |
| G001 | 1 | | | BF10400040 | Cap. Comp., Printed Comp. |
| J001 | 1 | 1 | 1 | BY04050010 | Terminal, Ant. Terminal |
| J002 | 1 | 1 | 1 | YT01010050 | Terminal, Ground |
| J003 | 1 | 1 | 1 | YT02040140 | Terminal, 4P Phono & Aux |
| J004 | 1 | 1 | 1 | YT02040140 | Terminal, 4P Tape 1 |
| J005 | 1 | 1 | 1 | YT02040140 | Terminal, 4P Tape 2 |
| J006 | 1 | 1 | 1 | YT02040170 | Terminal, 4P Pre Out & Main In |
| J007 | 1 | 1 | 1 | YT02010130 | Terminal, 1P Quadrature Out |
| J008 | 1 | 1 | 1 | YT03040160 | Terminal, Spkr Out System 1 |
| J009 | 1 | 1 | 1 | YT03040160 | Terminal, Spkr Out System 2 |
| J010 | 1 | 1 | 1 | YJ01001080 | Jack, Headphones |
| J011 | 1 | 1 | 1 | YJ08000250 | Jack, Lamp Holder |
| J012 | 1 | 1 | 1 | YJ08000250 | Jack, Lamp Holder |
| J013 | 1 | 1 | 1 | YJ04000560 | Jack, AC Outlet |
| J014 | 1 | 1 | 1 | YJ04000560 | Jack, AC Outlet |
| J015 | 1 | 1 | | YJ08000120 | Jack, Fuse Holder |
| J015 | | | 1 | YJ08000220 | Jack, Fuse Holder |
| J016 | | | 1 | BY03110010 | Plug, Voltage Selector |
| J017 | | | 1 | YL09030010 | Terminal, 3P |
| L001 | 1 | 1 | 1 | LF11200520 | Ant. Coil, AM |
| L002 | 1 | 1 | 1 | LB30075260 | Balun Coil |
| L003 | 1 | 1 | | TS19608010 | Power Transformer |
| L003 | | | 1 | TS19608020 | Power Transformer |
| M001 | 1 | 1 | 1 | IM11055080 | DC Meter, Signal Strength |
| M002 | 1 | 1 | 1 | IM11055050 | DC Meter, Tuning |
| Q001 | 1 | 1 | 1 | HD20003290 | Diode, S4VB |
| R001 | 1 | 1 | | RC10225120 | Resistor, 2.2MΩ ±10% ½W |
| S001 | 1 | 1 | | SP02010270 | Pushswitch, Power |
| S001 | | | 1 | SP04010250 | Pushswitch, Power |
| S002 | 1 | 1 | 1 | SP02010260 | Pushswitch, FM Muting |
| V001 | 1 | 1 | 1 | IN10080340 | Lamp, Stereo Ind. |

| REF. DESIG. | Q'TY | | | PART NO. | DESCRIPTION |
|-------------|------|---|---|------------|-------------------------------|
| | U | C | E | | |
| V002 | 1 | 1 | 1 | IN10080430 | Lamp, 8V 300mA |
| V004 | 1 | 1 | 1 | IN10080430 | Lamp, 8V 300mA |
| W001 | | | 1 | YC01900030 | A.C. Power Cord |
| W001 | 1 | 1 | | YC02400220 | A.C. Power Cord |
| C101 | 1 | 1 | 1 | DD16120020 | Ceramic Cap., 12pF ±10% |
| C102 | 1 | 1 | 1 | DK18203030 | Ceramic Cap., 0.02μF |
| C103 | 1 | 1 | 1 | DK18203030 | Ceramic Cap., 0.02μF |
| C104 | 1 | 1 | 1 | DD11020010 | Ceramic Cap., 2pF |
| C105 | 1 | 1 | 1 | DK18203030 | Ceramic Cap., 0.02μF |
| C106 | 1 | 1 | 1 | DD16150040 | Ceramic Cap., 15pF ±10% |
| C107 | 1 | 1 | 1 | DD11020010 | Ceramic Cap., 2pF |
| C108 | 1 | 1 | 1 | DD12050010 | Ceramic Cap., 5pF |
| C109 | 1 | 1 | 1 | DD16101010 | Ceramic Cap., 100pF ±10% |
| C110 | 1 | 1 | 1 | DK18203030 | Ceramic Cap., 0.02μF |
| C111 | 1 | 1 | 1 | DD16101010 | Ceramic Cap., 100pF ±10% |
| C112 | 1 | 1 | 1 | DK18203030 | Ceramic Cap., 0.02μF |
| C113 | 1 | 1 | 1 | DD15150020 | Ceramic Cap., 15pF ±5% |
| C114 | 1 | 1 | 1 | DD10050030 | Ceramic Cap., 5pF |
| C115 | 1 | 1 | 1 | DD12050010 | Ceramic Cap., 5pF |
| C116 | 1 | 1 | 1 | DD16330020 | Ceramic Cap., 33pF ±10% |
| C117 | 1 | 1 | 1 | DD12100060 | Ceramic Cap., 10pF |
| C118 | 1 | 1 | 1 | DK18203030 | Ceramic Cap., 0.02μF |
| C119 | 1 | 1 | 1 | DD11020010 | Ceramic Cap., 2pF |
| C120 | 1 | 1 | 1 | CA32400080 | Variable Cap. |
| C121 | 1 | 1 | 1 | CT14200010 | Trimming Cap. |
| C151 | 1 | 1 | 1 | DK17103010 | Ceramic Cap., 0.01μF ±20% |
| C152 | 1 | 1 | 1 | DK17103010 | Ceramic Cap., 0.01μF ±20% |
| C153 | 1 | 1 | 1 | DK17102010 | Ceramic Cap., 0.001μF ±20% |
| C154 | 1 | 1 | 1 | EA10701690 | Electrolytic Cap., 100μF 16V |
| C155 | 1 | 1 | 1 | DK18403020 | Ceramic Cap., 0.04μF |
| C156 | 1 | 1 | 1 | DF65391010 | Film Cap., 390pF |
| C157 | 1 | 1 | 1 | DD16150010 | Ceramic Cap., 15pF ±10% |
| C158 | 1 | 1 | 1 | DK18103010 | Ceramic Cap., 0.01μF |
| C159 | 1 | 1 | 1 | DK17103010 | Ceramic Cap., 0.01μF ±20% |
| C160 | 1 | 1 | 1 | DD16820010 | Ceramic Cap., 82pF ±10% |
| C161 | 1 | 1 | 1 | DK17103010 | Ceramic Cap., 0.01μF ±20% |
| C162 | 1 | 1 | 1 | DK18403020 | Ceramic Cap., 0.04μF |
| C163 | 1 | 1 | 1 | EA10505090 | Electrolytic Cap., 1μF 50V |
| C164 | 1 | 1 | 1 | EA22601690 | Electrolytic Cap., 22μF 16V |
| C165 | 1 | 1 | 1 | EA47503590 | Electrolytic Cap., 4.7μF 35V |
| C166 | 1 | 1 | 1 | DK17102010 | Ceramic Cap., 0.001μF ±20% |
| C167 | 1 | 1 | 1 | DK18103010 | Ceramic Cap., 0.01μF |
| C168 | 1 | 1 | 1 | DK16682010 | Ceramic Cap., 0.0068μF ±10% |
| C169 | 1 | 1 | 1 | DK18403020 | Ceramic Cap., 0.04μF |
| C170 | 1 | 1 | 1 | EA10701690 | Electrolytic Cap., 100μF 16V |
| C171 | 1 | 1 | 1 | DF16104010 | Film Cap., 0.1μF ±10% |
| C172 | 1 | 1 | 1 | EE47502510 | Electrolytic Cap., 4.7μF 25V |
| F151 | 1 | 1 | 1 | FF10045160 | Ceramic Filter, AM CF SFD455D |
| J101 | 1 | 1 | 1 | YP10001510 | Plug |
| J102 | 1 | 1 | 1 | YP10001510 | Plug |
| J103 | 1 | 1 | 1 | YP10001510 | Plug |
| J105 | 1 | 1 | 1 | YP10001510 | Plug |
| J107 | 1 | 1 | 1 | YP10001510 | Plug |
| J109 | 1 | 1 | 1 | YP10001510 | Plug |
| J110 | 1 | 1 | 1 | YP10001510 | Plug |
| J111 | 1 | 1 | 1 | YP10001510 | Plug |
| L105 | 1 | 1 | 1 | LC12220010 | Choke Coil |

- (U) for U.S.A.
- (C) for Canada
- (N) for Europe

| REF. DESIG. | Q'TY | | | PART NO. | DESCRIPTION |
|--------------------------------|------|---|---|------------|------------------------------|
| | U | C | E | | |
| L106 | 1 | 1 | 1 | LI10239010 | I.F.T. |
| L151 | 1 | 1 | 1 | LC13320020 | Choke Coil, 3.3μH |
| L152 | 1 | 1 | 1 | LC13320020 | Choke Coil, 3.3μH |
| L153 | 1 | 1 | 1 | LC13320020 | Choke Coil, 3.3μH |
| L154 | 1 | 1 | 1 | LO10010480 | Osc. Coil, AM Osc. |
| L155 | 1 | 1 | 1 | LI10015010 | I.F.T., AM |
| L156 | 1 | 1 | 1 | LI10015060 | I.F.T., AM |
| P100 FM FRONT END BOARD | | | | | |
| P100 | 1 | 1 | 1 | YD29910010 | P.W. Board |
| A201 | 1 | 1 | 1 | AV01202060 | FM Front End Assembly |
| Q101 | 1 | 1 | 1 | HF400451B0 | F.E.T., 3SK45 (B) |
| Q102 | 1 | 1 | 1 | HT305352B0 | Transistor, 2SC535 (B, C) |
| Q103 | 1 | 1 | 1 | HT313422B0 | Transistor, 2SC1342 (B, C) |
| Q151 | 1 | 1 | 1 | HC10019010 | IC, HA1197 |
| Q152 | 1 | 1 | 1 | HT313272A0 | Transistor, 2SC1327 (S, T) |
| Q153 | 1 | 1 | 1 | HV00006120 | Varistor, MV-203 |
| R101 | 1 | 1 | 1 | GD05105140 | Resistor, 1MΩ ±5% ¼W |
| R102 | 1 | 1 | 1 | GD05101140 | Resistor, 100Ω ±5% ¼W |
| R103 | 1 | 1 | 1 | GD05101140 | Resistor, 100Ω ±5% ¼W |
| R104 | 1 | 1 | 1 | GD05101140 | Resistor, 100Ω ±5% ¼W |
| R105 | 1 | 1 | 1 | GD05223140 | Resistor, 22kΩ ±5% ¼W |
| R106 | 1 | 1 | 1 | GD05472140 | Resistor, 4.7kΩ ±5% ¼W |
| R107 | 1 | 1 | 1 | GD05102140 | Resistor, 1kΩ ±5% ¼W |
| R108 | 1 | 1 | 1 | GD05103140 | Resistor, 10kΩ ±5% ¼W |
| R109 | 1 | 1 | 1 | GD05332140 | Resistor, 3.3kΩ ±5% ¼W |
| R110 | 1 | 1 | 1 | GD05103140 | Resistor, 10kΩ ±5% ¼W |
| R111 | 1 | 1 | 1 | GD05101140 | Resistor, 100Ω ±5% ¼W |
| R151 | 1 | 1 | 1 | RT05201140 | Resistor, 200Ω ±5% ¼W |
| R152 | 1 | 1 | 1 | RT05152140 | Resistor, 1.5kΩ ±5% ¼W |
| R153 | 1 | 1 | 1 | RT05202140 | Resistor, 2kΩ ±5% ¼W |
| R154 | 1 | 1 | 1 | RT05152140 | Resistor, 1.5kΩ ±5% ¼W |
| R155 | 1 | 1 | 1 | RT05151140 | Resistor, 150Ω ±5% ¼W |
| R156 | 1 | 1 | 1 | RA05020200 | Trimming Resistor, 5kΩ |
| R157 | 1 | 1 | 1 | RT05391140 | Resistor, 390Ω ±5% ¼W |
| R158 | 1 | 1 | 1 | RT05124140 | Resistor, 120kΩ ±5% ¼W |
| R159 | 1 | 1 | 1 | RT05104140 | Resistor, 100kΩ ±5% ¼W |
| R160 | 1 | 1 | 1 | RT05103140 | Resistor, 10kΩ ±5% ¼W |
| R161 | 1 | 1 | 1 | RT05103140 | Resistor, 10kΩ ±5% ¼W |
| R162 | 1 | 1 | 1 | RT05102140 | Resistor, 1kΩ ±5% ¼W |
| R163 | 1 | 1 | 1 | RT05301140 | Resistor, 300Ω ±5% ¼W |
| R164 | 1 | 1 | 1 | RT05473140 | Resistor, 47kΩ ±5% ¼W |
| R165 | 1 | 1 | 1 | RT05104140 | Resistor, 100kΩ ±5% ¼W |
| R166 | 1 | 1 | 1 | RT05152140 | Resistor, 1.5kΩ ±5% ¼W |
| R167 | 1 | 1 | 1 | RT05242140 | Resistor, 2.4kΩ ±5% ¼W |
| R169 | 1 | 1 | 1 | RT05473140 | Resistor, 47kΩ ±5% ¼W |
| R170 | 1 | 1 | 1 | RT05101140 | Resistor, 100Ω ±5% ¼W |
| C201 | 1 | 1 | 1 | DD15300010 | Ceramic Cap., 30pF ±5% |
| C202 | 1 | 1 | 1 | DK17103010 | Ceramic Cap., 0.01μF ±20% |
| C203 | 1 | 1 | 1 | DK17103010 | Ceramic Cap., 0.01μF ±20% |
| C204 | 1 | 1 | 1 | DK17103010 | Ceramic Cap., 0.01μF ±20% |
| C205 | 1 | 1 | 1 | DK18403020 | Ceramic Cap., 0.04μF |
| C206 | 1 | 1 | 1 | DK18403020 | Ceramic Cap., 0.04μF |
| C207 | 1 | 1 | 1 | DK18403020 | Ceramic Cap., 0.04μF |
| C208 | 1 | 1 | 1 | EA47503590 | Electrolytic Cap., 4.7μF 35V |
| C209 | 1 | 1 | 1 | DD15400040 | Ceramic Cap., 40pF ±5% |
| C210 | 1 | 1 | 1 | EA22601690 | Electrolytic Cap., 22μF 16V |

| REF. DESIG. | Q'TY | | | PART NO. | DESCRIPTION |
|-------------------------|------|----|----|------------|-------------------------------|
| | U | C | E | | |
| C211 | 1 | 1 | 1 | EA47405010 | Electrolytic Cap., 0.47μF 50V |
| C212 | 1 | 1 | 1 | DK18403010 | Ceramic Cap., 0.04μF |
| C213 | 1 | 1 | 1 | DK18403010 | Ceramic Cap., 0.04μF |
| C214 | 1 | 1 | 1 | DK18403010 | Ceramic Cap., 0.04μF |
| C215 | 1 | 1 | 1 | DK18403010 | Ceramic Cap., 0.04μF |
| C216 | 1 | 1 | 1 | DK18403010 | Ceramic Cap., 0.04μF |
| C217 | 1 | 1 | 1 | EA10505090 | Electrolytic Cap., 1μF 50V |
| C218 | 1 | 1 | 1 | EA10505090 | Electrolytic Cap., 1μF 50V |
| F201 | 1 | 1 | 1 | FF11070050 | Ceramic Filter, FM 10.7 MHz |
| F202 | 1 | 1 | 1 | FF11070050 | Ceramic Filter, FM 10.7 MHz |
| F203 | 1 | 1 | 1 | FF11070050 | Ceramic Filter, FM 10.7 MHz |
| J201 | 29 | 29 | 29 | YP10001130 | Plug |
| J229 | | | | | |
| J231 | 1 | 1 | 1 | YP10001130 | Plug |
| J232 | 1 | 1 | 1 | YP10001130 | Plug |
| J233 | 1 | 1 | 1 | YP10001130 | Plug, AM Test Point |
| L202 | 1 | 1 | 1 | LI14019010 | I.F.T., FM |
| L203 | 1 | 1 | 1 | LC11830010 | Choke Coil, 18μH |
| P200 TUNER BOARD | | | | | |
| P200 | 1 | 1 | 1 | YD22042012 | P.W. Board |
| | 1 | 1 | 1 | ZZ22052012 | P.W. Board Assembly |
| | | | | ZZ22058012 | P.W. Board Assembly |
| Q201 | 1 | 1 | 1 | HT310471C0 | Transistor, 2SC1047 C |
| Q202 | 1 | 1 | 1 | HC10021010 | IC, HA1137W |
| Q203 | 1 | 1 | 1 | HD20001210 | Diode, 1S2473 |
| Q204 | 1 | 1 | 1 | HD20001210 | Diode, 1S2473 |
| Q205 | 1 | 1 | 1 | HD20001210 | Diode, 1S2473 |
| Q206 | 1 | 1 | 1 | HT308281D0 | Transistor, 2SC828 S |
| Q207 | 1 | 1 | 1 | HD20001210 | Diode, 1S2473 |
| R201 | 1 | 1 | 1 | RT05151140 | Resistor, 150Ω ±5% ¼W |
| R202 | 1 | 1 | 1 | RT05331140 | Resistor, 330Ω ±5% ¼W |
| R203 | 1 | 1 | 1 | RT05153140 | Resistor, 15kΩ ±5% ¼W |
| R204 | 1 | 1 | 1 | RT05202140 | Resistor, 2kΩ ±5% ¼W |
| R205 | 1 | 1 | 1 | RT05331140 | Resistor, 330Ω ±5% ¼W |
| R206 | 1 | 1 | 1 | RT05102140 | Resistor, 1kΩ ±5% ¼W |
| R207 | 1 | 1 | 1 | RT05101140 | Resistor, 100Ω ±5% ¼W |
| R208 | 1 | 1 | 1 | RT05334140 | Resistor, 330kΩ ±5% ¼W |
| R209 | 1 | 1 | 1 | RA05030120 | Trimming Resistor, 50kΩ (B) |
| R210 | 1 | 1 | 1 | RT05103140 | Resistor, 10kΩ ±5% ¼W |
| R211 | 1 | 1 | 1 | RT05104140 | Resistor, 100kΩ ±5% ¼W |
| R212 | 1 | 1 | 1 | RA01030250 | Trimming Resistor, 10kΩ (B) |
| R213 | 1 | 1 | 1 | RT05123140 | Resistor, 12kΩ ±5% ¼W |
| R214 | 1 | 1 | 1 | RT05331140 | Resistor, 330Ω ±5% ¼W |
| R215 | 1 | 1 | 1 | RA05030120 | Trimming Resistor, 50kΩ (B) |
| R216 | 1 | 1 | 1 | RT05562140 | Resistor, 5.6kΩ ±5% ¼W |
| R217 | 1 | 1 | 1 | RT05222140 | Resistor, 2.2kΩ ±5% ¼W |
| R218 | 1 | 1 | 1 | RT05222140 | Resistor, 2.2kΩ ±5% ¼W |
| R219 | 1 | 1 | 1 | RT05123140 | Resistor, 12kΩ ±5% ¼W |
| R220 | 1 | 1 | 1 | RT05391140 | Resistor, 390Ω ±5% ¼W |
| R221 | 1 | 1 | 1 | RT05223140 | Resistor, 22kΩ ±5% ¼W |
| R222 | 1 | 1 | 1 | RT05473140 | Resistor, 47kΩ ±5% ¼W |
| R223 | 1 | 1 | 1 | RT05470140 | Resistor, 47Ω ±5% ¼W |
| R224 | 1 | 1 | 1 | RT05102140 | Resistor, 1kΩ ±5% ¼W |
| C301 | 1 | 1 | 1 | EA47503590 | Electrolytic Cap., 4.7μF 35V |
| C302 | 1 | 1 | 1 | DF65361500 | Film Cap., 360pF ±5% |

• (U) for U.S.A.
 • (C) for Canada
 • (N) for Europe

| REF. DESIG. | Q'TY | | | PART NO. | DESCRIPTION |
|-------------|------|---|---|------------|-------------------------------|
| | U | C | E | | |
| C303 | 1 | 1 | 1 | EA10701690 | Electrolytic Cap., 100μF 16V |
| C304 | 1 | 1 | 1 | EE33502510 | Electrolytic Cap., 3.3μF 25V |
| C305 | 1 | 1 | 1 | EE10505010 | Electrolytic Cap., 1μF 50V |
| C306 | 1 | 1 | 1 | EA10505090 | Electrolytic Cap., 1μF 50V |
| C307 | 1 | 1 | 1 | EQ22405010 | Electrolytic Cap., 0.22μF 50V |
| C308 | 1 | 1 | 1 | DF17473010 | Film Cap., 0.047μF ±20% |
| C309 | 1 | 1 | 1 | DD15500050 | Ceramic Cap., 50pF ±5% |
| C310 | 1 | 1 | 1 | DD15500050 | Ceramic Cap., 50pF ±5% |
| C311 | 1 | 1 | 1 | EA10601690 | Electrolytic Cap., 10μF 16V |
| C312 | 1 | 1 | 1 | EA10601690 | Electrolytic Cap., 10μF 16V |
| C313 | 1 | 1 | 1 | EA22505090 | Electrolytic Cap., 2.2μF 50V |
| C314 | 1 | 1 | 1 | EA22505090 | Electrolytic Cap., 2.2μF 50V |
| C315 | 1 | 1 | 1 | DF15102050 | Film Cap., 1000pF ±5% |
| C315 | 1 | 1 | 1 | DF15222050 | Film Cap., 2200pF ±5% |
| C316 | 1 | 1 | 1 | DF15102050 | Film Cap., 1000pF ±5% |
| C316 | 1 | 1 | 1 | DF15222050 | Film Cap., 2200pF ±5% |
| C317 | 1 | 1 | 1 | EA47405010 | Electrolytic Cap., 0.47μF 50V |
| C318 | 1 | 1 | 1 | EA47405010 | Electrolytic Cap., 0.47μF 50V |
| C319 | 1 | 1 | 1 | EE47502510 | Electrolytic Cap., 4.7μF 25V |
| C320 | 1 | 1 | 1 | EE47502510 | Electrolytic Cap., 4.7μF 25V |
| C321 | 1 | 1 | 1 | EA10701690 | Electrolytic Cap., 100μF 16V |
| C322 | 1 | 1 | 1 | EE10601640 | Electrolytic Cap., 10μF 16V |
| L301 | 1 | 1 | 1 | LS35025010 | M.P.X. Coil, LPF. |
| Q301 | 1 | 1 | 1 | HT308281D0 | Transistor, 2SC828 S |
| Q302 | 1 | 1 | 1 | HC10020010 | IC, HA1196 |
| Q303 | 1 | 1 | 1 | HT313441E0 | Transistor, 2SC1344 E |
| Q304 | 1 | 1 | 1 | HT313441E0 | Transistor, 2SC1344 E |
| R301 | 1 | 1 | 1 | RA01030310 | Trimming Resistor, 10kΩ (B) |
| R302 | 1 | 1 | 1 | RT05104140 | Resistor, 100kΩ ±5% ¼W |
| R303 | 1 | 1 | 1 | RT05223140 | Resistor, 22kΩ ±5% ¼W |
| R304 | 1 | 1 | 1 | RT05102140 | Resistor, 1kΩ ±5% ¼W |
| R305 | 1 | 1 | 1 | RT05104140 | Resistor, 100kΩ ±5% ¼W |
| R306 | 1 | 1 | 1 | RT05824140 | Resistor, 820kΩ ±5% ¼W |
| R307 | 1 | 1 | 1 | RT05473140 | Resistor, 47kΩ ±5% ¼W |
| R309 | 1 | 1 | 1 | RT05154140 | Resistor, 150kΩ ±5% ¼W |
| R310 | 1 | 1 | 1 | RT05223140 | Resistor, 22kΩ ±5% ¼W |
| R311 | 1 | 1 | 1 | RT05272140 | Resistor, 2.7kΩ ±5% ¼W |
| R312 | 1 | 1 | 1 | RT05101140 | Resistor, 100Ω ±5% ¼W |
| R313 | 1 | 1 | 1 | RT05303140 | Resistor, 30kΩ ±5% ¼W |
| R314 | 1 | 1 | 1 | RT05303140 | Resistor, 30kΩ ±5% ¼W |
| R315 | 1 | 1 | 1 | RT05473140 | Resistor, 47kΩ ±5% ¼W |
| R316 | 1 | 1 | 1 | RT05473140 | Resistor, 47kΩ ±5% ¼W |
| R317 | 1 | 1 | 1 | RA05040080 | Trimming Resistor, 500kΩ (B) |
| R318 | 1 | 1 | 1 | RT05473140 | Resistor, 47kΩ ±5% ¼W |
| R319 | 1 | 1 | 1 | RT05273140 | Resistor, 27kΩ ±5% ¼W |
| R320 | 1 | 1 | 1 | RT05273140 | Resistor, 27kΩ ±5% ¼W |
| R321 | 1 | 1 | 1 | RT05332140 | Resistor, 3.3kΩ ±5% ¼W |
| R322 | 1 | 1 | 1 | RT05332140 | Resistor, 3.3kΩ ±5% ¼W |
| R323 | 1 | 1 | 1 | RT05332140 | Resistor, 3.3kΩ ±5% ¼W |
| R324 | 1 | 1 | 1 | RT05332140 | Resistor, 3.3kΩ ±5% ¼W |
| R325 | 1 | 1 | 1 | RT05243140 | Resistor, 24kΩ ±5% ¼W |
| R326 | 1 | 1 | 1 | RT05243140 | Resistor, 24kΩ ±5% ¼W |
| R327 | 1 | 1 | 1 | RT05394140 | Resistor, 390kΩ ±5% ¼W |
| R328 | 1 | 1 | 1 | RT05394140 | Resistor, 390kΩ ±5% ¼W |
| R329 | 1 | 1 | 1 | RT05105140 | Resistor, 1MΩ ±5% ¼W |
| R330 | 1 | 1 | 1 | RT05105140 | Resistor, 1MΩ ±5% ¼W |
| R331 | 1 | 1 | 1 | RT05391140 | Resistor, 390Ω ±5% ¼W |

| REF. DESIG. | Q'TY | | | PART NO. | DESCRIPTION |
|-------------|------|----|----|------------|-----------------------------------|
| | U | C | E | | |
| R332 | 1 | 1 | 1 | RT05391140 | Resistor, 390Ω ±5% ¼W |
| R333 | 1 | 1 | 1 | RT05222140 | Resistor, 2.2kΩ ±5% ¼W |
| R334 | 1 | 1 | 1 | RT05222140 | Resistor, 2.2kΩ ±5% ¼W |
| R335 | 1 | 1 | 1 | RT05473140 | Resistor, 47kΩ ±5% ¼W |
| R336 | 1 | 1 | 1 | RT05473140 | Resistor, 47kΩ ±5% ¼W |
| R337 | 1 | 1 | 1 | RT05101140 | Resistor, 100Ω ±5% ¼W |
| R338 | 1 | 1 | 1 | RT05101140 | Resistor, 100Ω ±5% ¼W |
| R339 | 1 | 1 | 1 | RT05101140 | Resistor, 100Ω ±5% ¼W |
| R340 | 1 | 1 | 1 | RT05201140 | Resistor, 200Ω ±5% ¼W |
| C401 | 1 | 1 | 1 | EV22502560 | Electrolytic Cap., 2.2μF ±20% 25V |
| C402 | 1 | 1 | 1 | EV22502560 | Electrolytic Cap., 2.2μF ±20% 25V |
| C403 | 1 | 1 | 1 | DD16201010 | Ceramic Cap., 200pF ±10% 50V |
| C404 | 1 | 1 | 1 | DD16201010 | Ceramic Cap., 200pF ±10% 50V |
| C405 | 1 | 1 | 1 | DD16151010 | Ceramic Cap., 150pF ±10% 50V |
| C406 | 1 | 1 | 1 | DD16151010 | Ceramic Cap., 150pF ±10% 50V |
| C407 | 1 | 1 | 1 | EV22600660 | Electrolytic Cap., 22μF ±20% 6.3V |
| C408 | 1 | 1 | 1 | EV22600660 | Electrolytic Cap., 22μF ±20% 6.3V |
| C409 | 1 | 1 | 1 | DD16300010 | Ceramic Cap., 30pF ±10% 50V |
| C410 | 1 | 1 | 1 | DD16300010 | Ceramic Cap., 30pF ±10% 50V |
| C411 | 1 | 1 | 1 | EA47601690 | Electrolytic Cap., 47μF ±5% 16V |
| C412 | 1 | 1 | 1 | EA47601690 | Electrolytic Cap., 47μF ±5% 16V |
| C413 | 1 | 1 | 1 | DD16101010 | Ceramic Cap., 100pF ±10% 50V |
| C414 | 1 | 1 | 1 | DD16101010 | Ceramic Cap., 100pF ±10% 50V |
| C415 | 1 | 1 | 1 | EE22503510 | Electrolytic Cap., 2.2μF ±20% 35V |
| C416 | 1 | 1 | 1 | EE22503510 | Electrolytic Cap., 2.2μF ±20% 35V |
| C417 | 1 | 1 | 1 | DF15152010 | Film Cap., 0.0015μF ±5% 50V |
| C418 | 1 | 1 | 1 | DF15152010 | Film Cap., 0.0015μF ±5% 50V |
| C419 | 1 | 1 | 1 | DF15562010 | Film Cap., 0.0056μF ±5% 50V |
| C420 | 1 | 1 | 1 | DF15562010 | Film Cap., 0.0056μF ±5% 50V |
| C421 | 1 | 1 | 1 | EA10705090 | Electrolytic Cap., 100μF ±5% 50V |
| C422 | 1 | 1 | 1 | EA47601090 | Electrolytic Cap., 47μF ±5% 10V |
| J401 | | | | | |
| J438 | 38 | 38 | 38 | YP10001130 | Plug |
| L401 | 1 | 1 | 1 | LC11540020 | Choke Coil, 150μH |
| P400 | 1 | 1 | 1 | YK22050210 | P.W. Board |
| | 1 | 1 | 1 | ZZ22050210 | P.W. Board Assembly |
| Q401 | 1 | 1 | 1 | HT316811B0 | Transistor, 2SC1681 (BL) |
| Q402 | 1 | 1 | 1 | HT316811B0 | Transistor, 2SC1681 (BL) |
| Q403 | 1 | 1 | 1 | HT316812A0 | Transistor, 2SC1681 (GR, BL) |
| Q404 | 1 | 1 | 1 | HT316812A0 | Transistor, 2SC1681 (GR, BL) |
| Q405 | 1 | 1 | 1 | HT316811B0 | Transistor, 2SC1681 (BL) |
| Q406 | 1 | 1 | 1 | HT316811B0 | Transistor, 2SC1681 (BL) |
| R401 | 1 | 1 | 1 | RT05913140 | Resistor, 91kΩ ±5% ¼W |
| R402 | 1 | 1 | 1 | RT05913140 | Resistor, 91kΩ ±5% ¼W |
| R403 | 1 | 1 | 1 | RT05471140 | Resistor, 470Ω ±5% ¼W |
| R404 | 1 | 1 | 1 | RT05471140 | Resistor, 470Ω ±5% ¼W |
| R405 | 1 | 1 | 1 | RT05394140 | Resistor, 390kΩ ±5% ¼W |
| R406 | 1 | 1 | 1 | RT05394140 | Resistor, 390kΩ ±5% ¼W |
| R407 | 1 | 1 | 1 | RT05223140 | Resistor, 22kΩ ±5% ¼W |
| R408 | 1 | 1 | 1 | RT05223140 | Resistor, 22kΩ ±5% ¼W |
| R409 | 1 | 1 | 1 | RT05681140 | Resistor, 680Ω ±5% ¼W |
| R410 | 1 | 1 | 1 | RT05681140 | Resistor, 680Ω ±5% ¼W |
| R411 | 1 | 1 | 1 | RT05104140 | Resistor, 100kΩ ±5% ¼W |
| R412 | 1 | 1 | 1 | RT05104140 | Resistor, 100kΩ ±5% ¼W |

- (U) for U.S.A.
- (C) for Canada
- (N) for Europe

| REF. DESIG. | QTY | | | PART NO. | DESCRIPTION |
|-------------|-----|----|----|------------|------------------------------------|
| | U | C | E | | |
| R413 | 1 | 1 | 1 | RT05303140 | Resistor, 30kΩ ±5% ¼W |
| R414 | 1 | 1 | 1 | RT05303140 | Resistor, 30kΩ ±5% ¼W |
| R415 | 1 | 1 | 1 | RT05562140 | Resistor, 5.6kΩ ±5% ¼W |
| R416 | 1 | 1 | 1 | RT05562140 | Resistor, 5.6kΩ ±5% ¼W |
| R417 | 1 | 1 | 1 | RT05182140 | Resistor, 1.8kΩ ±5% ¼W |
| R418 | 1 | 1 | 1 | RT05182140 | Resistor, 1.8kΩ ±5% ¼W |
| R419 | 1 | 1 | 1 | RT05472140 | Resistor, 4.7kΩ ±5% ¼W |
| R420 | 1 | 1 | 1 | RT05472140 | Resistor, 4.7kΩ ±5% ¼W |
| R421 | 1 | 1 | 1 | RT05224140 | Resistor, 220kΩ ±5% ¼W |
| R422 | 1 | 1 | 1 | RT05224140 | Resistor, 220kΩ ±5% ¼W |
| R423 | 1 | 1 | 1 | RT05473140 | Resistor, 47kΩ ±5% ¼W |
| R424 | 1 | 1 | 1 | RT05473140 | Resistor, 47kΩ ±5% ¼W |
| R425 | 1 | 1 | 1 | RT05152140 | Resistor, 1.5kΩ ±5% ¼W |
| R426 | 1 | 1 | 1 | RT05152140 | Resistor, 1.5kΩ ±5% ¼W |
| R427 | 1 | 1 | 1 | RT05564140 | Resistor, 560kΩ ±5% ¼W |
| R428 | 1 | 1 | 1 | RT05564140 | Resistor, 560kΩ ±5% ¼W |
| R429 | 1 | 1 | 1 | RT05101140 | Resistor, 100Ω ±5% ¼W |
| R430 | 1 | 1 | 1 | GF05330120 | Resistor, 33Ω ±5% ¼W |
| S401 | 1 | 1 | 1 | SR10050130 | Rotary Switch, Selector |
| C701 | 1 | 1 | 1 | EE22505010 | Electrolytic Cap., 2.2μF ±20% 50V |
| C702 | 1 | 1 | 1 | EE22505010 | Electrolytic Cap., 2.2μF ±20% 50V |
| C703 | 1 | 1 | 1 | EE47601640 | Electrolytic Cap., 47μF ±20% 16V |
| C704 | 1 | 1 | 1 | EE47601640 | Electrolytic Cap., 47μF ±20% 16V |
| C705 | 1 | 1 | 1 | EA47605090 | Electrolytic Cap., 47μF ±18% 50V |
| C706 | 1 | 1 | 1 | EA47605090 | Electrolytic Cap., 47μF ±18% 50V |
| C707 | 1 | 1 | 1 | DD16201010 | Ceramic Cap., 200pF ±10% 25V |
| C708 | 1 | 1 | 1 | DD16201010 | Ceramic Cap., 200pF ±10% 25V |
| C709 | 1 | 1 | 1 | DD10030500 | Ceramic Cap., 3pF ±0.25pF 500V |
| C710 | 1 | 1 | 1 | DD10030500 | Ceramic Cap., 3pF ±0.25pF 500V |
| C711 | 1 | 1 | 1 | DK16101500 | Ceramic Cap., 100pF ±10% 500V |
| C712 | 1 | 1 | 1 | DK16101500 | Ceramic Cap., 100pF ±10% 500V |
| C713 | 1 | 1 | 1 | DK16101500 | Ceramic Cap., 100pF ±10% 500V |
| C714 | 1 | 1 | 1 | DK16101500 | Ceramic Cap., 100pF ±10% 500V |
| C715 | 1 | 1 | 1 | DF17104520 | Film Cap., 0.1μF ±20% 200V |
| C716 | 1 | 1 | 1 | DF17104520 | Film Cap., 0.1μF ±20% 200V |
| C717 | 1 | 1 | 1 | EA10603590 | Electrolytic Cap., 10μF ±18% 35V |
| C718 | 1 | 1 | 1 | EA22703590 | Electrolytic Cap., 220μF ±18% 35V |
| C719 | 1 | 1 | 1 | EA10701090 | Electrolytic Cap., 100μF ±18% 10V |
| C720 | 1 | 1 | 1 | EA47706310 | Electrolytic Cap., 470μF ±18% 63V |
| C721 | 1 | 1 | 1 | EA10706310 | Electrolytic Cap., 100μF ±18% 63V |
| C722 | 1 | 1 | 1 | EA33605090 | Electrolytic Cap., 33μF ±18% 50V |
| C723 | 1 | 1 | 1 | EA10701690 | Electrolytic Cap., 100μF ±18% 16V |
| C724 | 1 | 1 | 1 | EA33505090 | Electrolytic Cap., 3.3μF ±18% 50V |
| C725 | 1 | 1 | 1 | EA10801690 | Electrolytic Cap., 1000μF ±18% 16V |
| C726 | 1 | 1 | 1 | DK18103510 | Ceramic Cap., 0.01μF 500V |
| C727 | 1 | 1 | 1 | DF17473050 | Film Cap., 0.047μF ±20% 50V |
| F701 | 1 | 1 | 1 | FS10350010 | Fuse, 3.5A 250V (UL) |
| F701 | 1 | 1 | 1 | FS10350800 | Fuse, 3.5A (SEMKO) |
| F702 | 1 | 1 | 1 | FS10350010 | Fuse, 3.5A 250V (UL) |
| F702 | 1 | 1 | 1 | FS10350800 | Fuse, 3.5A (SEMKO) |
| F703 | 1 | 1 | 1 | FS10100080 | Fuse, MGC 1A 30mm |
| F703 | 1 | 1 | 1 | FS10100800 | Fuse, 1A (SEMKO) |
| F704 | 1 | 1 | 1 | FS10200060 | Fuse, MGA 2A 30mm |
| F704 | 1 | 1 | 1 | FS10200800 | Fuse, 2A (SEMKO) |
| J701 | 23 | 23 | 23 | YP10001130 | Plug |
| J723 | | | | | |

| REF. DESIG. | QTY | | | PART NO. | DESCRIPTION |
|-------------|-----|----|----|------------|--|
| | U | C | E | | |
| J724 | | | | | |
| J724 | 4 | 4 | 4 | YP10001200 | Plug |
| J727 | | | | | |
| J728 | | | | | |
| J728 | 11 | 11 | 11 | YP10001130 | Plug |
| J738 | | | | | |
| J739 | | | | | |
| J746 | 8 | 8 | 8 | YJ08000210 | Jack |
| J747 | 1 | 1 | 1 | YP10001130 | Plug |
| J748 | 1 | 1 | 1 | YP10001130 | Plug |
| L701 | 1 | 1 | 1 | LC22720010 | Choke Coil, 2.7μH |
| L702 | 1 | 1 | 1 | LC22720010 | Choke Coil, 2.7μH |
| P700 | 1 | 1 | 1 | YG22050010 | P700 MAIN AMP. & POWER SUPPLY BOARD P.W. Board |
| P700 | 1 | 1 | 1 | ZZ22050010 | P.W. Board Assembly |
| Q701 | 1 | 1 | 1 | HT107502B0 | Transistor, 2SA 750 (E, U) |
| Q702 | 1 | 1 | 1 | HT107502B0 | Transistor, 2SA 750 (E, U) |
| Q703 | 1 | 1 | 1 | HT107502B0 | Transistor, 2SA 750 (E, U) |
| Q704 | 1 | 1 | 1 | HT107502B0 | Transistor, 2SA 750 (E, U) |
| Q705 | 1 | 1 | 1 | HV00003120 | Varistor, MV-13 |
| Q706 | 1 | 1 | 1 | HV00003120 | Varistor, MV-13 |
| Q707 | 1 | 1 | 1 | HV00003120 | Varistor, MV-13 |
| Q708 | 1 | 1 | 1 | HV00003120 | Varistor, MV-13 |
| Q709 | 1 | 1 | 1 | HT318853B0 | Transistor, 2SC1885 (Q, R, S) |
| Q710 | 1 | 1 | 1 | HT318853B0 | Transistor, 2SC1885 (Q, R, S) |
| Q711 | 1 | 1 | 1 | HD20001210 | Diode, 1S2473C (YE) |
| Q712 | 1 | 1 | 1 | HD20001210 | Diode, 1S2473C (YE) |
| Q713 | 1 | 1 | 1 | HD20001210 | Diode, 1S2473C (YE) |
| Q714 | 1 | 1 | 1 | HD20001210 | Diode, 1S2473C (YE) |
| Q715 | 1 | 1 | 1 | HT309452A0 | Transistor, 2SC 945 (Q, R) |
| Q716 | 1 | 1 | 1 | HT309452A0 | Transistor, 2SC 945 (Q, R) |
| Q717 | 1 | 1 | 1 | HT107332B0 | Transistor, 2SA 733 (Q, R) |
| Q718 | 1 | 1 | 1 | HT107332B0 | Transistor, 2SA 733 (Q, R) |
| Q719 | 1 | 1 | 1 | HH00008120 | Thermistor, 21D28 |
| Q720 | 1 | 1 | 1 | HH00008120 | Thermistor, 21D28 |
| Q721 | 1 | 1 | 1 | HD20002210 | Diode, 1S2472 (GR) |
| Q722 | 1 | 1 | 1 | HD20002210 | Diode, 1S2472 (GR) |
| Q723 | 1 | 1 | 1 | HD20002210 | Diode, 1S2472 (GR) |
| Q724 | 1 | 1 | 1 | HD20002210 | Diode, 1S2472 (GR) |
| Q725 | 1 | 1 | 1 | HT315092A0 | Transistor, 2SC1509 (P, Q) |
| Q726 | 1 | 1 | 1 | HT315092A0 | Transistor, 2SC1509 (P, Q) |
| Q727 | 1 | 1 | 1 | HT107772A0 | Transistor, 2SA 777 (P, Q) |
| Q728 | 1 | 1 | 1 | HT107772A0 | Transistor, 2SA 777 (P, Q) |
| Q729 | 1 | 1 | 1 | HD20005010 | Diode, W06B |
| Q730 | 1 | 1 | 1 | HD20005010 | Diode, W06B |
| Q731 | 1 | 1 | 1 | HD20005010 | Diode, W06B |
| Q732 | 1 | 1 | 1 | HD20005010 | Diode, W06B |
| Q733 | 1 | 1 | 1 | HT405872B0 | Transistor, 2SD 587 (R, Q) |
| Q734 | 1 | 1 | 1 | HT405872B0 | Transistor, 2SD 587 (R, Q) |
| Q735 | 1 | 1 | 1 | HT206172B0 | Transistor, 2SB 617 (R, Q) |
| Q736 | 1 | 1 | 1 | HT206172B0 | Transistor, 2SB 617 (R, Q) |
| Q737 | 1 | 1 | 1 | HV00005080 | Varistor, STV-3H (Y) |
| Q738 | 1 | 1 | 1 | HV00005080 | Varistor, STV-3H (Y) |
| Q739 | 1 | 1 | 1 | HD30030090 | Zener, WZ-177 |
| Q740 | 1 | 1 | 1 | HT309452B0 | Transistor, 2SC 945 (P, Q) |

• (U) for U.S.A.
 • (C) for Canada
 • (N) for Europe

| REF. DESIG. | Q'TY | | | PART NO. | DESCRIPTION |
|-------------|------|---|---|------------|-----------------------------|
| | U | C | E | | |
| Q741 | 1 | 1 | 1 | HT309452B0 | Transistor, 2SC 945 (P, Q) |
| Q742 | 1 | 1 | 1 | HD30024090 | Zener, WZ-120 |
| Q743 | 1 | 1 | 1 | HT309452B0 | Transistor, 2SC 945 (P, Q) |
| Q744 | 1 | 1 | 1 | HD20012030 | Diode, DS-132B |
| Q745 | 1 | 1 | 1 | HD20011030 | Diode, DS-131B |
| Q746 | 1 | 1 | 1 | HT318853B0 | Transistor, 2SC1885 |
| Q747 | 1 | 1 | 1 | HT309452A0 | Transistor, 2SC 945 (Q, R) |
| Q748 | 1 | 1 | 1 | HD30025090 | Zener, WZ-150 |
| Q749 | 1 | 1 | 1 | HD20005010 | Diode, W06B |
| Q750 | 1 | 1 | 1 | HT403302A0 | Transistor, 2SD 330 (D, E) |
| R701 | 1 | 1 | 1 | RT05474140 | Resistor, 470kΩ ±5% ¼W |
| R702 | 1 | 1 | 1 | RT05474140 | Resistor, 470kΩ ±5% ¼W |
| R703 | 1 | 1 | 1 | RT05392140 | Resistor, 3.9kΩ ±5% ¼W |
| R704 | 1 | 1 | 1 | RT05392140 | Resistor, 3.9kΩ ±5% ¼W |
| R705 | 1 | 1 | 1 | RT05333140 | Resistor, 33kΩ ±5% ¼W |
| R706 | 1 | 1 | 1 | RT05333140 | Resistor, 33kΩ ±5% ¼W |
| R707 | 1 | 1 | 1 | RT05153140 | Resistor, 15kΩ ±5% ¼W |
| R708 | 1 | 1 | 1 | RT05153140 | Resistor, 15kΩ ±5% ¼W |
| R709 | 1 | 1 | 1 | RT05103140 | Resistor, 10kΩ ±5% ¼W |
| R710 | 1 | 1 | 1 | RT05103140 | Resistor, 10kΩ ±5% ¼W |
| R711 | 1 | 1 | 1 | RT05912140 | Resistor, 9.1kΩ ±5% ¼W |
| R712 | 1 | 1 | 1 | RT05912140 | Resistor, 9.1kΩ ±5% ¼W |
| R713 | 1 | 1 | 1 | RT05153140 | Resistor, 15kΩ ±5% ¼W |
| R714 | 1 | 1 | 1 | RT05153140 | Resistor, 15kΩ ±5% ¼W |
| R715 | 1 | 1 | 1 | RT05224140 | Resistor, 220kΩ ±5% ¼W |
| R716 | 1 | 1 | 1 | RT05224140 | Resistor, 220kΩ ±5% ¼W |
| R717 | 1 | 1 | 1 | RT05332140 | Resistor, 3.3kΩ ±5% ¼W |
| R718 | 1 | 1 | 1 | RT05332140 | Resistor, 3.3kΩ ±5% ¼W |
| R719 | 1 | 1 | 1 | GF05330140 | Resistor, 33Ω ±5% ¼W |
| R720 | 1 | 1 | 1 | GF05330140 | Resistor, 33Ω ±5% ¼W |
| R721 | 1 | 1 | 1 | RT05333140 | Resistor, 33kΩ ±5% ¼W |
| R722 | 1 | 1 | 1 | RT05333140 | Resistor, 33kΩ ±5% ¼W |
| R723 | 1 | 1 | 1 | RT05271140 | Resistor, 270Ω ±5% ¼W |
| R724 | 1 | 1 | 1 | RT05271140 | Resistor, 270Ω ±5% ¼W |
| R725 | 1 | 1 | 1 | RT05362140 | Resistor, 3.6kΩ ±5% ¼W |
| R726 | 1 | 1 | 1 | RT05362140 | Resistor, 3.6kΩ ±5% ¼W |
| R727 | 1 | 1 | 1 | RT05302140 | Resistor, 3kΩ ±5% ¼W |
| R728 | 1 | 1 | 1 | RT05302140 | Resistor, 3kΩ ±5% ¼W |
| R729 | 1 | 1 | 1 | GF05102140 | Resistor, 1kΩ ±5% ¼W |
| R730 | 1 | 1 | 1 | GF05102140 | Resistor, 1kΩ ±5% ¼W |
| R731 | 1 | 1 | 1 | GF05122140 | Resistor, 1.2kΩ ±5% ¼W |
| R732 | 1 | 1 | 1 | GF05122140 | Resistor, 1.2kΩ ±5% ¼W |
| R733 | 1 | 1 | 1 | GF05272140 | Resistor, 2.7kΩ ±5% ¼W |
| R734 | 1 | 1 | 1 | GF05272140 | Resistor, 2.7kΩ ±5% ¼W |
| R735 | 1 | 1 | 1 | GF05111140 | Resistor, 110Ω ±5% ¼W |
| R736 | 1 | 1 | 1 | GF05111140 | Resistor, 110Ω ±5% ¼W |
| R737 | 1 | 1 | 1 | RA05020200 | Trimming Resistor, 5kΩ (B) |
| R738 | 1 | 1 | 1 | RA05020200 | Trimming Resistor, 5kΩ (B) |
| R739 | 1 | 1 | 1 | RA01010040 | Trimming Resistor, 100Ω (B) |
| R740 | 1 | 1 | 1 | RA01010040 | Trimming Resistor, 100Ω (B) |
| R741 | 1 | 1 | 1 | GF05131140 | Resistor, 130Ω ±5% ¼W |
| R742 | 1 | 1 | 1 | GF05131140 | Resistor, 130Ω ±5% ¼W |
| R743 | 1 | 1 | 1 | GF05151140 | Resistor, 150Ω ±5% ¼W |
| R744 | 1 | 1 | 1 | GF05151140 | Resistor, 150Ω ±5% ¼W |
| R745 | 1 | 1 | 1 | GF05101140 | Resistor, 100Ω ±5% ¼W |
| R746 | 1 | 1 | 1 | GF05101140 | Resistor, 100Ω ±5% ¼W |
| R747 | 1 | 1 | 1 | GF05101140 | Resistor, 100Ω ±5% ¼W |

| REF. DESIG. | Q'TY | | | PART NO. | DESCRIPTION |
|-------------|------|---|---|------------|----------------------------|
| | U | C | E | | |
| R748 | 1 | 1 | 1 | GF05101140 | Resistor, 100Ω ±5% ¼W |
| R749 | 1 | 1 | 1 | 75061251P0 | Jumpre |
| R750 | 1 | 1 | 1 | 75061251P0 | Jumpre |
| R751 | 1 | 1 | 1 | 75061251P0 | Jumpre |
| R752 | 1 | 1 | 1 | 75061251P0 | Jumpre |
| R753 | 1 | 1 | 1 | GF05121140 | Resistor, 120Ω ±5% ¼W |
| R754 | 1 | 1 | 1 | GF05121140 | Resistor, 120Ω ±5% ¼W |
| R755 | 1 | 1 | 1 | GF05121140 | Resistor, 120Ω ±5% ¼W |
| R756 | 1 | 1 | 1 | GF05121140 | Resistor, 120Ω ±5% ¼W |
| R757 | 1 | 1 | 1 | GW10472020 | Resistor, 0.47Ω ±10% 2W |
| R758 | 1 | 1 | 1 | GW10472020 | Resistor, 0.47Ω ±10% 2W |
| R759 | 1 | 1 | 1 | GW10472020 | Resistor, 0.47Ω ±10% 2W |
| R760 | 1 | 1 | 1 | GW10472020 | Resistor, 0.47Ω ±10% 2W |
| R761 | 1 | 1 | 1 | GJ05100020 | Resistor, 10Ω ±5% 2W |
| R762 | 1 | 1 | 1 | GJ05100020 | Resistor, 10Ω ±5% 2W |
| R763 | 1 | 1 | 1 | RC10022120 | Resistor, 2.2Ω ±10% ½W |
| R764 | 1 | 1 | 1 | RC10022120 | Resistor, 2.2Ω ±10% ½W |
| R765 | 1 | 1 | 1 | GF05102140 | Resistor, 1kΩ ±5% ¼W |
| R766 | 1 | 1 | 1 | GF05151140 | Resistor, 150Ω ±5% ¼W |
| R767 | 1 | 1 | 1 | RT05100140 | Resistor, 10Ω ±5% ¼W |
| R768 | 1 | 1 | 1 | RT05103140 | Resistor, 10kΩ ±5% ¼W |
| R769 | 1 | 1 | 1 | RT05684140 | Resistor, 680kΩ ±5% ¼W |
| R770 | 1 | 1 | 1 | RT05754140 | Resistor, 750kΩ ±5% ¼W |
| R771 | 1 | 1 | 1 | GJ05331020 | Resistor, 330Ω ±5% 2W |
| R772 | 1 | 1 | 1 | GJ05331020 | Resistor, 330Ω ±5% 2W |
| R773 | 1 | 1 | 1 | GU05151120 | Resistor, 150Ω ±5% ½W |
| R774 | 1 | 1 | 1 | GU05151120 | Resistor, 150Ω ±5% ½W |
| R775 | 1 | 1 | 1 | GF05220140 | Resistor, 22Ω ±5% ¼W |
| R776 | 1 | 1 | 1 | GS10101050 | Resistor, 100Ω ±10% 5W |
| R777 | 1 | 1 | 1 | RT05152140 | Resistor, 1.5kΩ ±5% ¼W |
| R778 | 1 | 1 | 1 | RT05152140 | Resistor, 1.5kΩ ±5% ¼W |
| R779 | 1 | 1 | 1 | RT05392140 | Resistor, 3.9kΩ ±5% ¼W |
| R780 | 1 | 1 | 1 | RT05303140 | Resistor, 30kΩ ±5% ¼W |
| R781 | 1 | 1 | 1 | RT05223140 | Resistor, 22kΩ ±5% ¼W |
| R782 | 1 | 1 | 1 | 75061251P0 | JUMPER |
| R783 | 1 | 1 | 1 | RA05020200 | Trimming Resistor, 5kΩ (B) |
| S701 | 1 | 1 | 1 | SP04020200 | Pushswitch, Spkr |

18. TECHNICAL SPECIFICATIONS

FOR U.S.A. MODEL ONLY

AMPLIFIER SECTION

| | |
|--|-----------------|
| RATED POWER OUTPUT, MINIMUM CONTINUOUS AVERAGE POWER PER CHANNEL, BOTH CHANNELS DRIVEN | 26W |
| POWER BAND | 20 Hz to 20 kHz |
| TOTAL HARMONIC DISTORTION | 0.1% |
| LOAD IMPEDANCE | 8 OHMS |
| RATED POWER OUTPUT MINIMUM CONTINUOUS AVERAGE POWER PER CHANNEL, BOTH CHANNELS DRIVEN | 33W |
| POWER BAND | 20 Hz to 20 kHz |
| TOTAL HARMONIC DISTORTION | 0.1% |
| LOAD IMPEDANCE | 4 OHMS |

I.M. Distortion

| | |
|---|----------|
| (I.H.F. method, 60 Hz and 7 kHz mixed 4:1 at rated power output) | |
| at 8 ohm load impedance | 0.1% |
| at 4 ohm load impedance | 0.1% |
| Damping Factor (at 20 Hz) | 45 |
| Sensitivity (at MAIN IN) | 1.5 V |
| Impedance (at MAIN IN) | 33k ohms |
| Frequency Response for Power Amp Only (at 1 Watt output, 20 Hz to 20 kHz) | ±0.5 dB |

PREAMPLIFIER SECTION:

| | |
|--|-------------------------|
| Phono | |
| Input Overload at 1 kHz | 100 mV |
| Equivalent Input Noise | 1.5 μ V |
| Dynamic Range (Dynamic Range is the ratio of input overload to equivalent input noise) | 96 dB |
| Input Sensitivity | 1.8 mV |
| Input Impedance | 47k ohms |
| Input Capacitance | 100 pF |
| Frequency Response, RIAA 20 Hz to 20 kHz | ±1.0 dB |
| Signal-to-Noise Ratio (at rated output and 7.75 mV input) | 75 dB |
| High Level (Aux and Tape) | |
| Input Sensitivity | 180 mV |
| Input Impedance | 20k ohms |
| Frequency Response (includes power amp) | 15 Hz to 60 kHz ±1.5 dB |
| Signal-to-Noise Ratio (ref. to rated output and 775 mV input) | 90 dB |
| Output Levels | |
| Tape Out (ref. 7.75 mV at Phono inputs) | 775 mV |
| Pre-Out (ref. 180 mV at Aux inputs) | 1.5 V |
| (ref. 500 mV at Aux inputs, main amp disconnected) | 4.2 V |
| Output Impedance | |
| Tape-Out | 600 ohms |
| Pre-Out | 900 ohms |

FM TUNER SECTION:

| | |
|---------------------------------------|-------------------------|
| Sensitivity | |
| IHF Usable | 10.8 dBf (1.9 μ V) |
| IHF 50 dB Quieting (Mono) | 16.1 dBf (3.2 μ V) |
| (Stereo) | 37.3 dBf (40 μ V) |
| Quieting Slope (Mono) | |
| RF Input for 30 dB Quieting | 9.3 dBf (1.6 μ V) |
| Quieting at: | |
| 20 dBf (5.5 μ V) | 55 dB |
| 25 dBf (10 μ V) | 60 dB |
| 40 dBf (55 μ V) | 70 dB |
| 65 dBf (1000 μ V) | 75 dB |
| Quieting Slope (Stereo) | |
| Quieting at: | |
| 30 dBf (17 μ V) | 42 dB |
| 40 dBf (55 μ V) | 53 dB |

| | |
|---|------------------|
| 50 dBf (173 μ V) | 58 dB |
| 65 dBf (1000 μ V) | 65 dB |
| Distortion (Mono) at 65 dBf (1000 μ V) | |
| 100 Hz | 0.25% |
| 1000 Hz | 0.15% |
| 6000 Hz | 0.35% |
| Distortion (Stereo) at 65 dBf (1000 μ V) | |
| 100 Hz | 0.35% |
| 1000 Hz | 0.3% |
| 6000 Hz | 0.55% |
| Distortion (Mono and Stereo) at 50 dB Quieting, 1000 Hz | |
| Hum and Noise at 65 dBf (1000 μ V) | |
| Mono | 73 dB |
| Frequency Response | |
| 30 Hz to 15 kHz | |
| Mono | +0.2 dB, -1.5 dB |
| Stereo | ±1.5 dB |
| Capture Ratio at 65 dBf (1000 μ V) | 1.0 dB |
| Alternate Channel Selectivity | 70 dB |
| Spurious Response Rejection | 90 dB |
| Image Response Rejection | 60 dB |
| I.F. Rejection (Balanced) | 90 dB |
| A.M. Suppression | 50 dB |
| Stereo Separation | |
| 100 Hz | 40 dB |
| 1000 Hz | 45 dB |
| 10 kHz | 40 dB |
| Subcarrier Rejection | 60 dB |

AM TUNER SECTION:

| | |
|--|------------|
| IHF Usable Sensitivity | 15 μ V |
| Distortion (THD), 30% Modulation | 0.5% |
| Signal-to-Noise Ratio | 50 dB |
| Alternate Channel Selectivity | 46 dB |
| Image Rejection | 45 dB |
| Spurious Response Rejection | 60 dB |
| I.F. Rejection | 40 dB |

GENERAL:

| | |
|--|-------------------------|
| Power Requirements | 120 VAC, 60 Hz |
| Power Consumption at rated output, both channels operating | 132 W |
| Idling Power (Volume Control at zero) | 27 W |
| Dimensions: | |
| Panel Width | 440 mm (17-5/16 inches) |
| Panel Height | 137 mm (5-3/8 inches) |
| Depth | 362 mm (14-1/2 inches) |
| Weight: | |
| Unit alone | 11.5 kg (25.3 lbs) |
| Packed for Shipment | 13.0 kg (28.6 lbs) |

FOR EUROPEAN MODEL ONLY

AUDIO SECTION

| | |
|--|----------------------|
| POWER OUTPUT AT 1% DISTORTION | 53 W |
| RATED POWER OUTPUT, 1 kHz | 37 W |
| TOTAL HARMONIC DISTORTION AT RATED POWER OUTPUT, 1 kHz | 0.1% |
| I.M. DISTORTION AT RATED POWER OUTPUT (I.H.F. METHOD, 300 Hz AND 10 kHz MIXED 4:1 AT RATED POWER OUTPUT) | 0.1% |
| POWER BANDWIDTH, 1/2 RATED POWER OUTPUT | 8 Hz ~ 30 kHz |
| LOAD IMPEDANCE | 4 OHMS |
| POWER OUTPUT AT 1% DISTORTION | 44 W |
| RATED POWER OUTPUT, 1 kHz | 29 W |
| TOTAL HARMONIC DISTORTION AT RATED POWER OUTPUT, 1 kHz | 0.1% |
| I.M. DISTORTION AT RATED POWER OUTPUT (I.H.F. METHOD, 300 Hz AND 10 kHz MIXED 4:1 AT RATED POWER OUTPUT) | 0.1% |
| POWER BANDWIDTH, 1/2 RATED POWER OUTPUT | 8 Hz ~ 30 kHz |
| LOAD IMPEDANCE | 8 OHMS |

| | |
|---|----------------|
| Damping Factor, SP Output | |
| 40 Hz | 45 |
| 1 kHz | 45 |
| 12.5 kHz | 35 |
| Frequency Response | |
| Phono ±2 dB | 18 Hz ~ 30 kHz |
| Aux ±1.5 dB | 10 Hz ~ 40 kHz |
| Main In ±1.5 dB | 10 Hz ~ 40 kHz |
| Signal-to-Noise Ratio, 1 kHz | |
| Phono | 50 dB |
| Aux | 50 dB |
| Main In | 55 dB |
| Input Sensitivity, 1 kHz (Rated Input Voltage) | |
| Phono | 1.8 mV |
| Aux | 180 mV |
| Main In | 1.5 V |
| Input Impedance, 1 kHz | |
| Phono | 47k ohms |
| Aux | 20k ohms |
| Main In | 33k ohms |
| Phono Equivalent Input Noise | 1.7 µV |
| Phono Dynamic Range | 92 dB |
| Phono Input Capacitance | 100 pF |
| Channel Balance | |
| Phono 0 ~ -40 dB | 2.5 dB |
| Aux 40 ~ 16 kHz | 2.0 dB |
| Main In | 1.0 dB |
| Interchannel Crosstalk | |
| Phono 1 kHz | 35 dB |
| 250 Hz ~ 10 kHz | 30 dB |
| Aux 1 kHz | 43 dB |
| 250 Hz ~ 10 kHz | 30 dB |
| Tape 1 kHz | 43 dB |
| 250 Hz ~ 10 kHz | 30 dB |
| Main In 1 kHz | 55 dB |
| 250 Hz ~ 10 kHz | 50 dB |
| Intersource Crosstalk, Worst Point | |
| 1 kHz | 43 dB |
| 250 Hz ~ 10 kHz | 30 dB |
| Output Voltage, 1 kHz | |
| Tape Out | 0.18 V |
| Pre Out | 1.5 V |
| Output Impedance, 1 kHz | |
| Tape Out | 50 ohms |
| Pre Out | 600 ohms |
| Overload Margin, 1 kHz | |
| Phono | 33 dB |
| Aux | 50 dB |
| Power Consumption | |
| Idling | 25 W |
| Rated Power, 1 kHz | 135 W |
| FM TUNER SECTION: | |
| Frequency Range | 87.5 ~ 108 MHz |
| Usable Sensitivity 40 kHz Deviation, 98 MHz | |
| Mono S/N 26 dB | 1.6 µV |
| Stereo S/N 46 dB | 47 µV |
| Alternate Channel Selectivity 98 MHz, ±300 kHz | 50 dB |
| Image Response Rejection, 98 MHz | 60 dB |

| | |
|--|------------------|
| IF Rejection, 98 MHz | 80 dB |
| Spurious Response Rejection, 98 MHz | 80 dB |
| AM Suppression, 98 MHz | 50 dB |
| Signal-to-Noise Ratio at 98 MHz | |
| Un-weighted Mono | 65 dB |
| Stereo | 58 dB |
| Weight Mono | 68 dB |
| Stereo | 62 dB |
| Pilot Signal & Subcarrier Rejection | |
| 19 kHz | 60 dB |
| 38 kHz | 65 dB |
| Total Harmonic Distortion at 98 MHz | |
| Mono | 0.2% |
| Stereo | 0.4% |
| Frequency Response | |
| 30 Hz ~ 15 kHz | +0.2 dB, -2.0 dB |
| Separation | |
| 250 ~ 6.3 kHz | 40 dB |
| 6.3 kHz ~ 12.5 kHz | 35 dB |
| Channel Balance | 0.5 dB |
| Output Voltage, 1 kHz | 565 mV |
| Output Impedance, 1 kHz | 2.3k ohms |
| Acceptable Load Impedance, 1 kHz | 47k ohms |
| Antenna Terminals | |
| Balanced | 300 ohms |
| Unbalanced | 75 ohms |

AM TUNER SECTION:

| | |
|---|------------------------|
| Frequency Range | 515 ~ 1650 kHz |
| Usable Sensitivity 26 dB S/N 30% Mod., 1 MHz | 25 µV |
| Selectivity 1 MHz, ±9 kHz | 20 dB |
| Image Rejection, 1 MHz | 18 dB |
| IF Rejection, 1 MHz | 3 dB |
| Spurious Response Rejection, 1 MHz | 60 dB |
| Signal-to-Noise Ratio, 1 MHz | 52 dB |
| Frequency Response 1 MHz, ±3 dB | 40 Hz ~ 2.3 kHz |
| Total Harmonic Distortion, 1 MHz | 0.5% |

GENERAL:

| | |
|--|-------------------------|
| Power Requirements | 220V ~ 50 Hz |
| (E and N versions are featuring an external voltage selector for use on 110/120/240V.) | |
| Other versions can be converted by a qualified technician to operate on 110/120/240V.) | |
| Power Consumption at Rated Output, | |
| Both Channels Operating | 132W ± 15 W |
| Idling Power | 27W ± 7 W |
| Semiconductor Complement | |
| Integrated Circuits | 3 |
| Transistors | 46 |
| Diodes | 30 |
| Field Effect Transistors | 1 |
| Dimensions | |
| Panel Width | 440 mm (17-5/16 inches) |
| Panel Height | 137 mm (5-25/64 inches) |
| Depth | 365 mm (14-3/8 inches) |
| Weight | |
| Unit Alone | 11.5 kg (25.3 lbs) |
| Packed for Shipment | 13.0 kg (28.6 lbs) |





marantz

MARANTZ CO., INC. · P. O. BOX 577 · CHATSWORTH, CALIFORNIA · 91311



A WHOLLY-OWNED SUBSIDIARY OF SUPERSCOPE INC., CHATSWORTH, CALIFORNIA · 91311